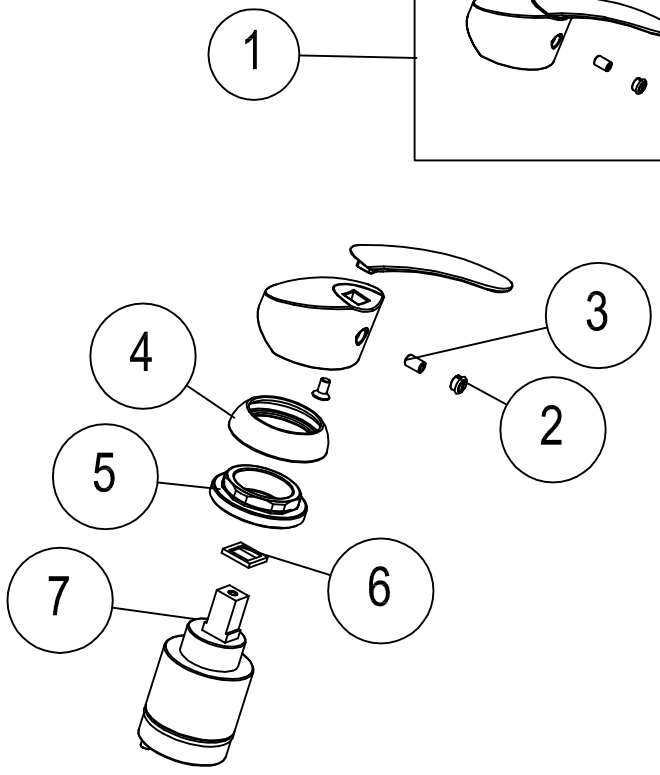
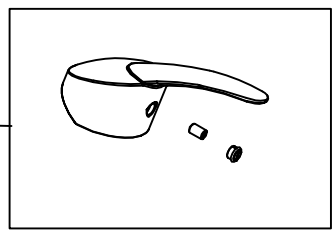


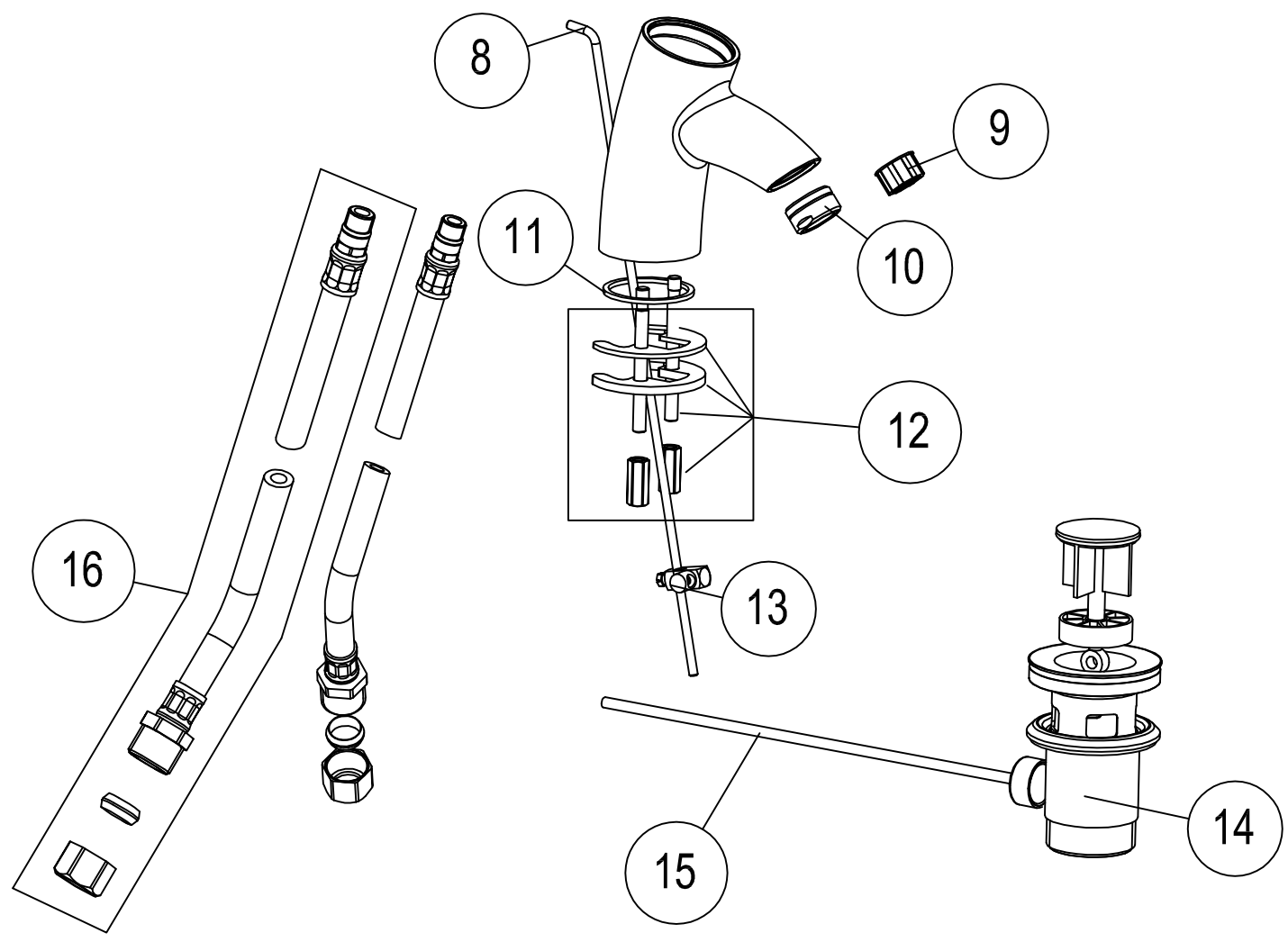
No.	Part Code	Unit
1.	HD PR7770Q98	Each
2.	IND PP7783M47	Each
3.	SCW 04528	Each
4.	SHD MV6917	Each
5.	NUT MV7321	Each
6.	INS IN7775	Each
7.	CART CR7765	Each
8.	ROD MV6914	Each
9.	ANT RG7732	Each
10.	ANT AR0043	Each
11.	OR GU4046	Each
12.	FX CF8069Q00	Each
13.	LNK SN1677	Each
14.	WAST SC3204	Each
15.	ROD SC1523M51	Each
16.	FLEX FS4794	Each
17.		
18.		
19.		
20.		
21.		
22.		
23.		
24.		
25.		



Bristan Spare Part Drawing & Bill of Materials

BRISTAN

TZ SMBAS SC
Date 16/05/05 Created by: AMcN



No Etching on product