

Sandringham 21 Washbasin Mixer 1 TH Pop-up Waste

Illustrated

B9868 Sandringham 21 washbasin mixer 1 taphole with pop-up waste

Configuration options

Material

Chrome Plated Brass

Weights

B9868 1.45KG

Colours

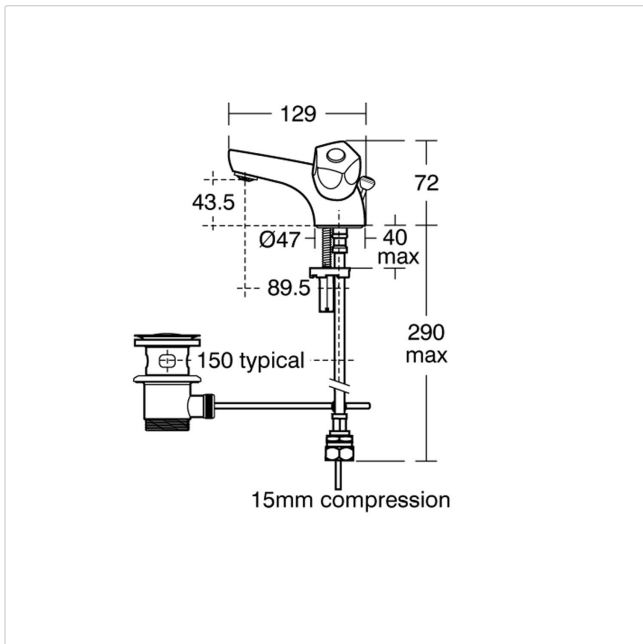
Chromium plated (AA)

Flow rates

4.8 Litres per minute @ 3 bar pressure

Special Notes

Suitable for balanced supplies. Inlets with flexible hoses and connections for 15mm copper tails. Consideration should be given to safe hot water delivery and the use of an appropriate temperature reduction device. Unregulated flow rate 8.5 litres per minute at 0.1 bar.



Frequently used applications

Education	Factory
General Healthcare	Hotels
Office	Public Building
Pubs and Clubs	Residential
Retail	Social Housing
Sports and Leisure	Student Accommodation

Accreditations

WRAS
Water Label

*Amritage
Shanks*

Tel: 0870 122 8822
Fax: 0870 122 8282
Email: info@idealspec.co.uk
Web: www.idealspec.co.uk

Ideal Standard (UK) Ltd. makes every effort to ensure that the information provided on its website is accurate. However, we cannot guarantee this, and accept no liability for any information or advice given via its website.

Powered by
IdealSpec

Date created: 27/02/2015