

Sandringham 21 Handrinse Washbasin, 35cm 2 Tapholes

Illustrated

- E8930** Sandringham 21 handrinse washbasin 35cm, 2 taphole, with overflow and chainstay hole
- B9865** Sandringham 21 Washbasin Pillar Taps
- S8800** Waste 1¼" plastic waste with bead chain and plug, 80mm slotted tail, bolt stay
- S8900** Trap 1¼" metal bottle, 75mm seal, outlet screwed 1¼" BSP male with compression nut and ring
- E5010** Pair Steel Wall Hangers

Configuration options

- E0157** Wall fixing set

Material

Vitreous China

Weights

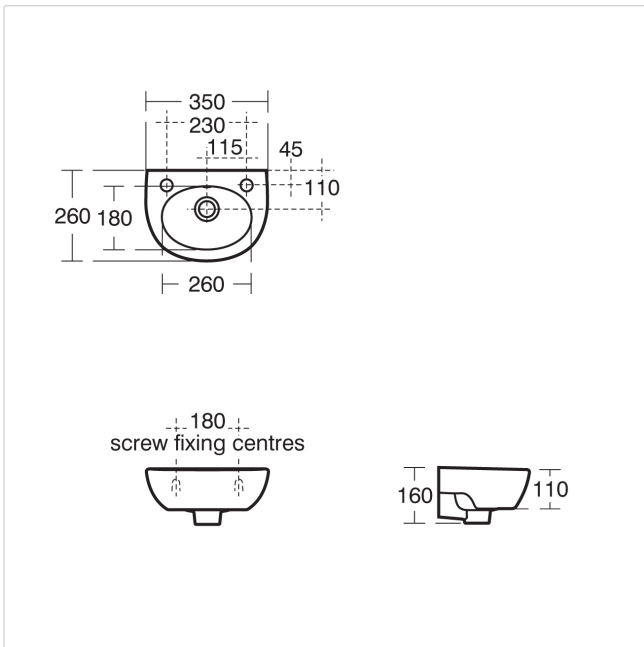
- E8930 6.50KG
- B9865 1.05KG
- S8800 0.08KG
- S8900 0.54KG
- E5010 0.10KG

Special Notes

Washbasin wall mounted using E5010 wall hangers and screwed to wall using 2 screws (not supplied) or E0157 wall fixing bolts and screwed to wall using 2 screws (not supplied).

Colours

White (01)



Frequently used applications

- | | |
|-----------------------|--------------------|
| Education | Factory |
| Hotels | Office |
| Public Building | Pubs and Clubs |
| Residential | Retail |
| Social Housing | Sports and Leisure |
| Student Accommodation | |

