



Tempo 2 Hole Bath Filler

Illustrated

B0730 Tempo 2 hole bath filler

Configuration options

A5901 TMV Thermostatic mixing valve 22mm

Material

Chrome Plated

Weights

Colours

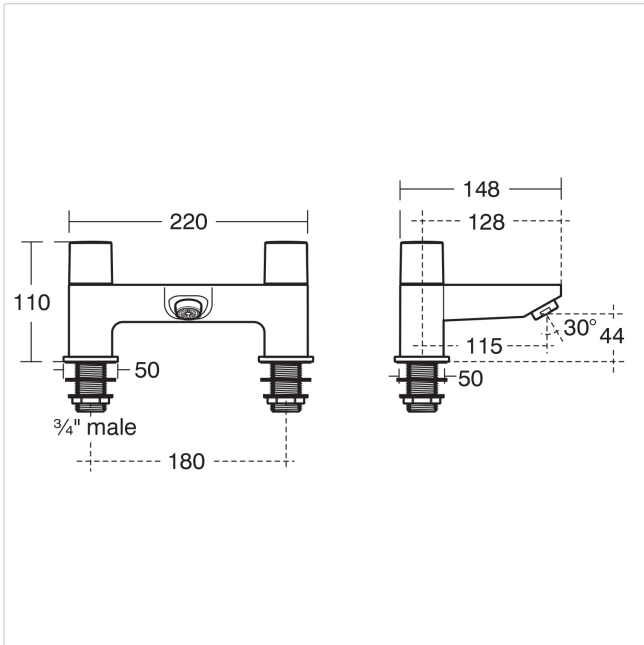
Chromium plated (AA)

Special Notes

Suitable for balanced or unbalanced supplies. Inlets suitable for 22mm copper tubes. It is recommended that a thermostatic blending valve such as A5901AA should be used.

Designer

Artefakt Industriekultur



Frequently used applications

Hotels

Public Building

Office

Residential



Tel: 0870 122 8822
Fax: 0870 122 8282
Email: info@idealspec.co.uk
Web: www.idealspec.co.uk

Ideal Standard (UK) Ltd. makes every effort to ensure that the information provided on its website is accurate. However, we cannot guarantee this, and accept no liability for any information or advice given via its website.



Date created:03/06/2014