



all™

family bath

Fitting Instructions

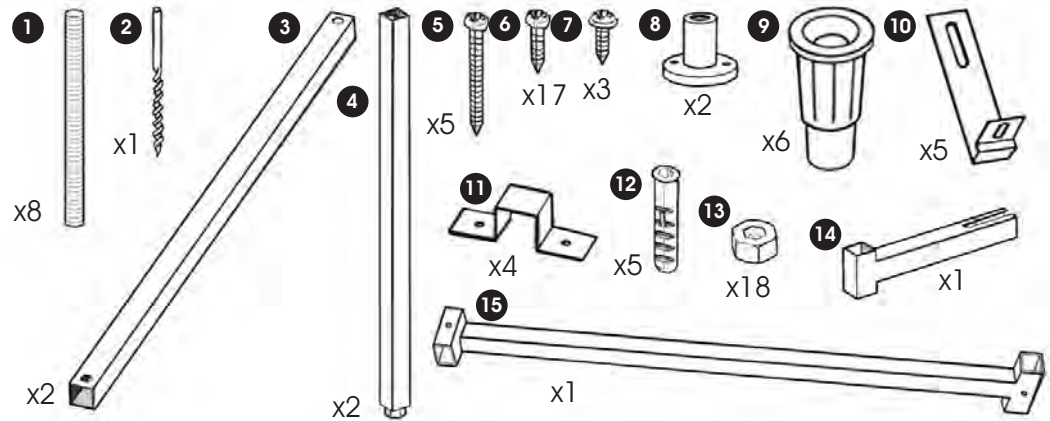
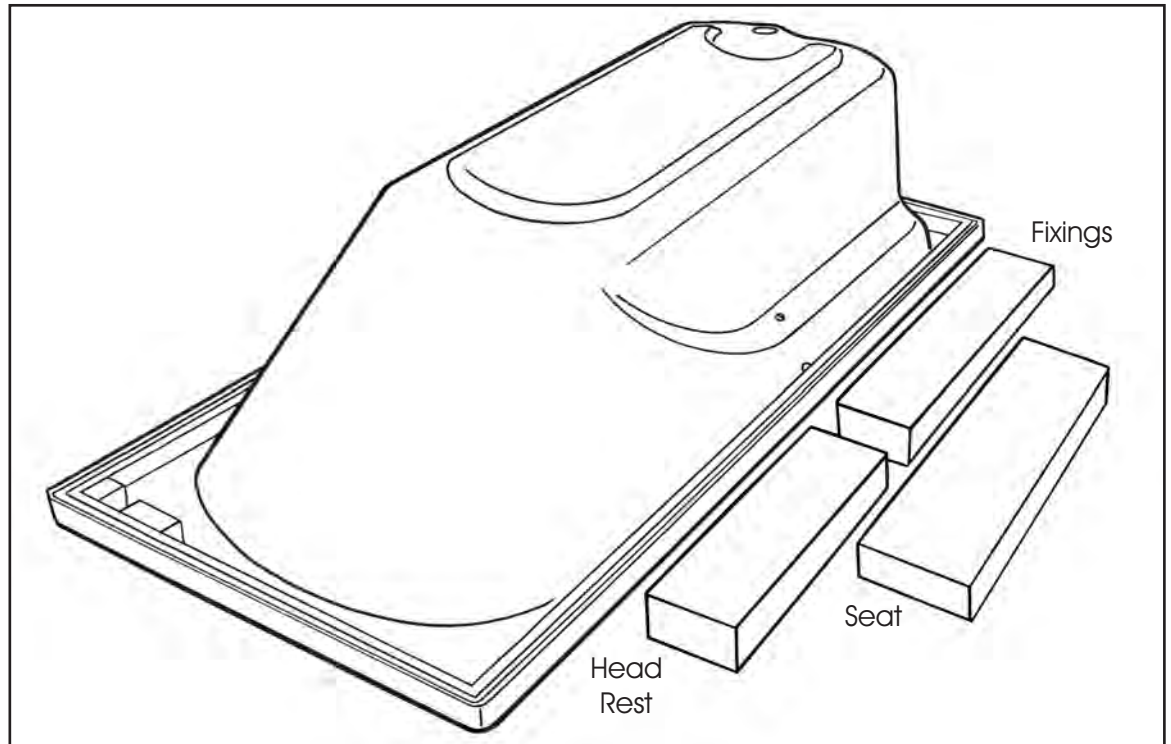
Twyford
bathrooms

To assemble and install the product read through the instructions first, then refer to them throughout the installation. Make sure the area in which you are working is free from any objects that may scratch the product, as for some stages the product may be face down. It is advisable to lay down cardboard or sheeting for this reason. No responsibility can be accepted for obvious defects found after installation. Please leave this leaflet for the end-user. If in doubt contact a qualified trades person.

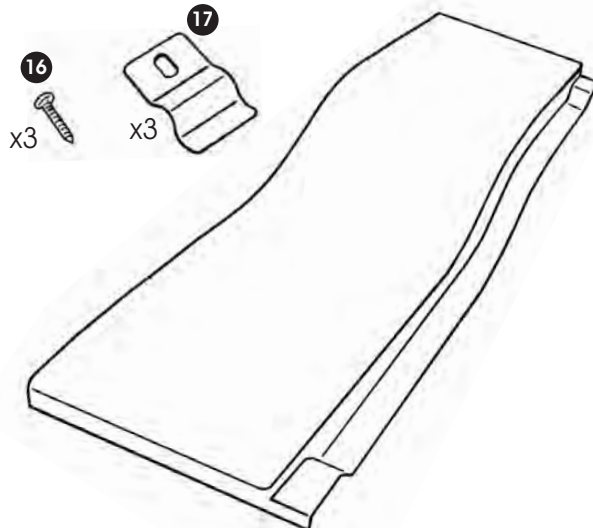
1

Contents

Remove all packaging, invert bath and check all contents.



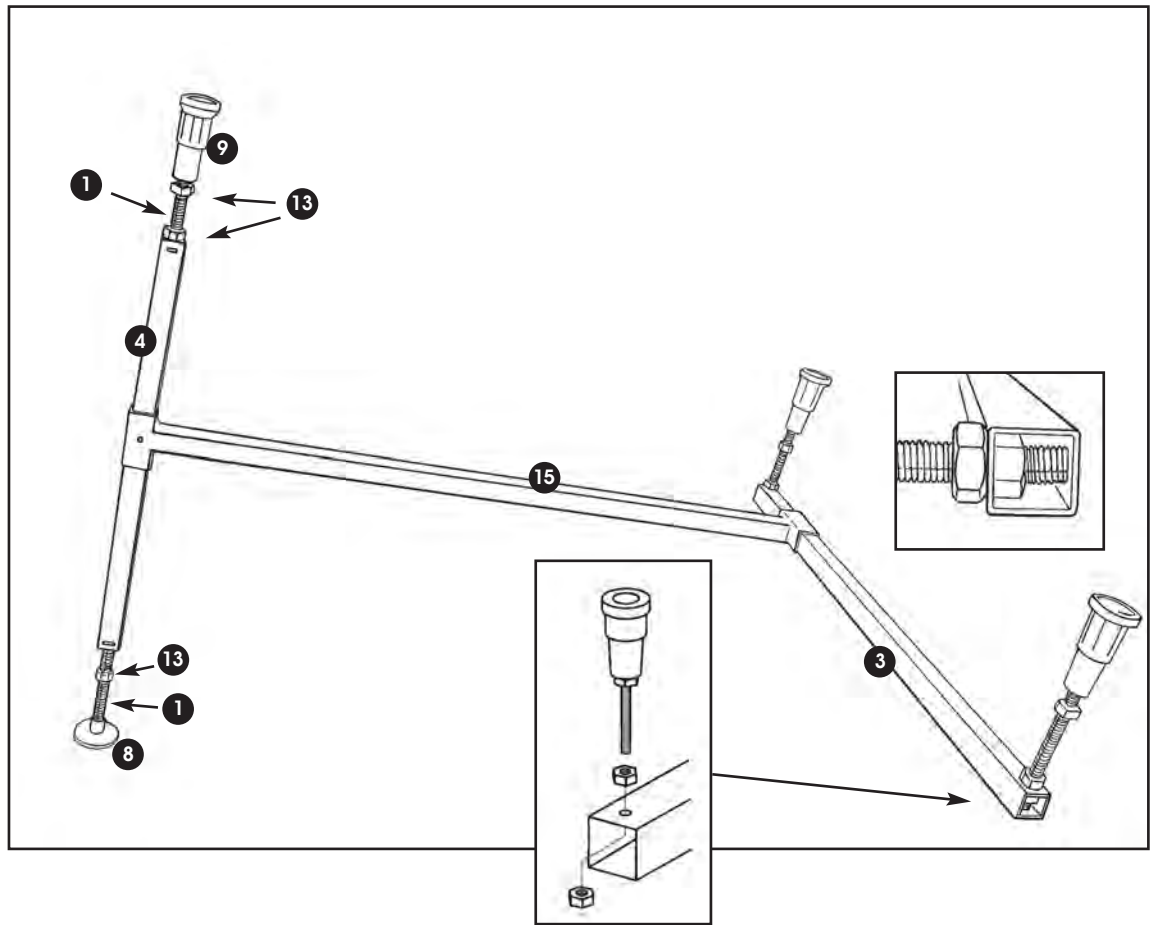
Bath panel, if supplied



THESE INSTRUCTIONS SHOWS A RIGHT HAND BATH

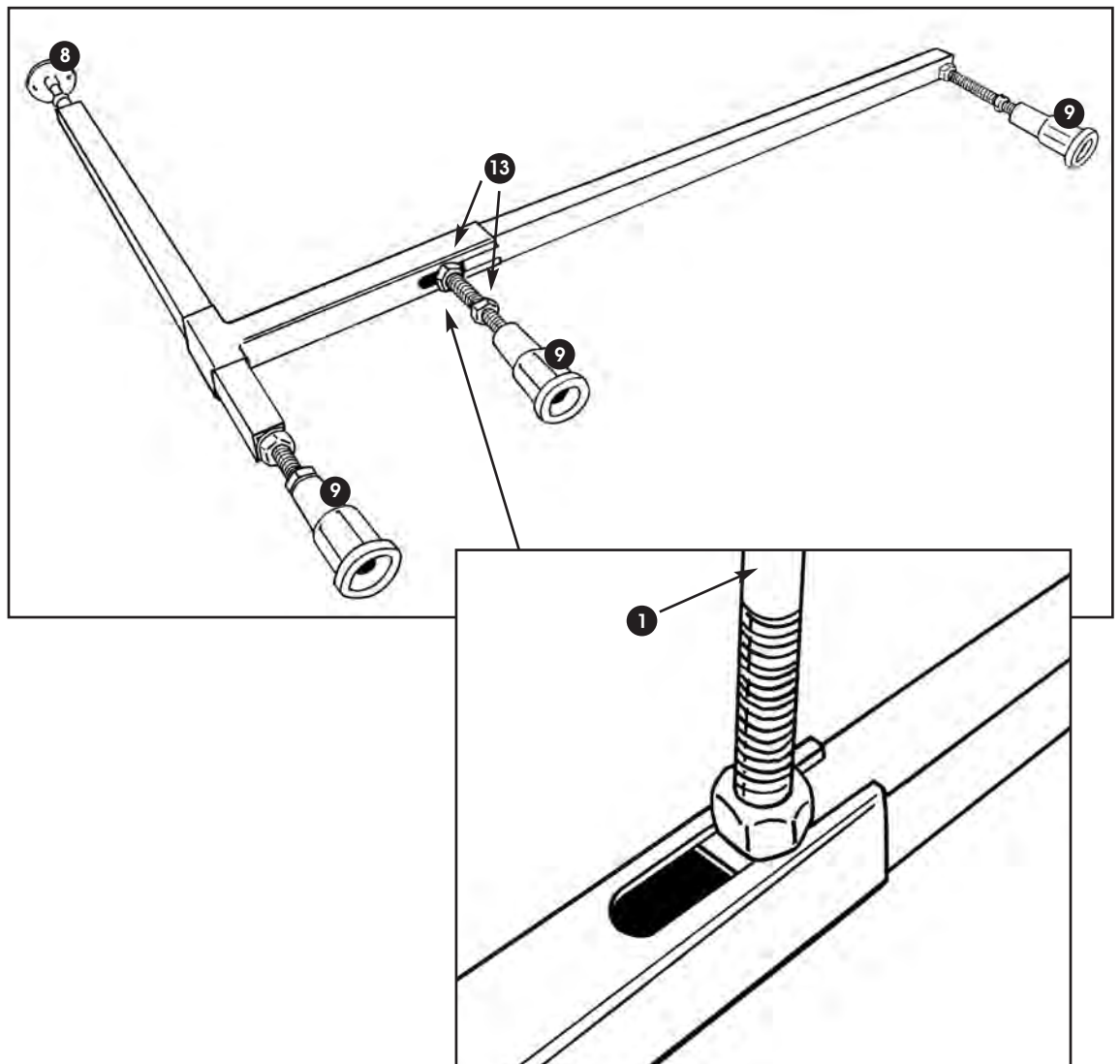
2

Head end leg assembly



3

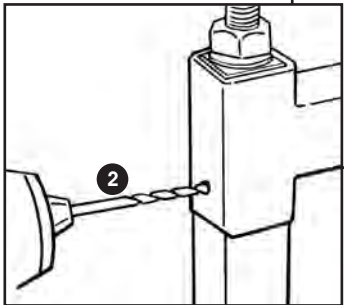
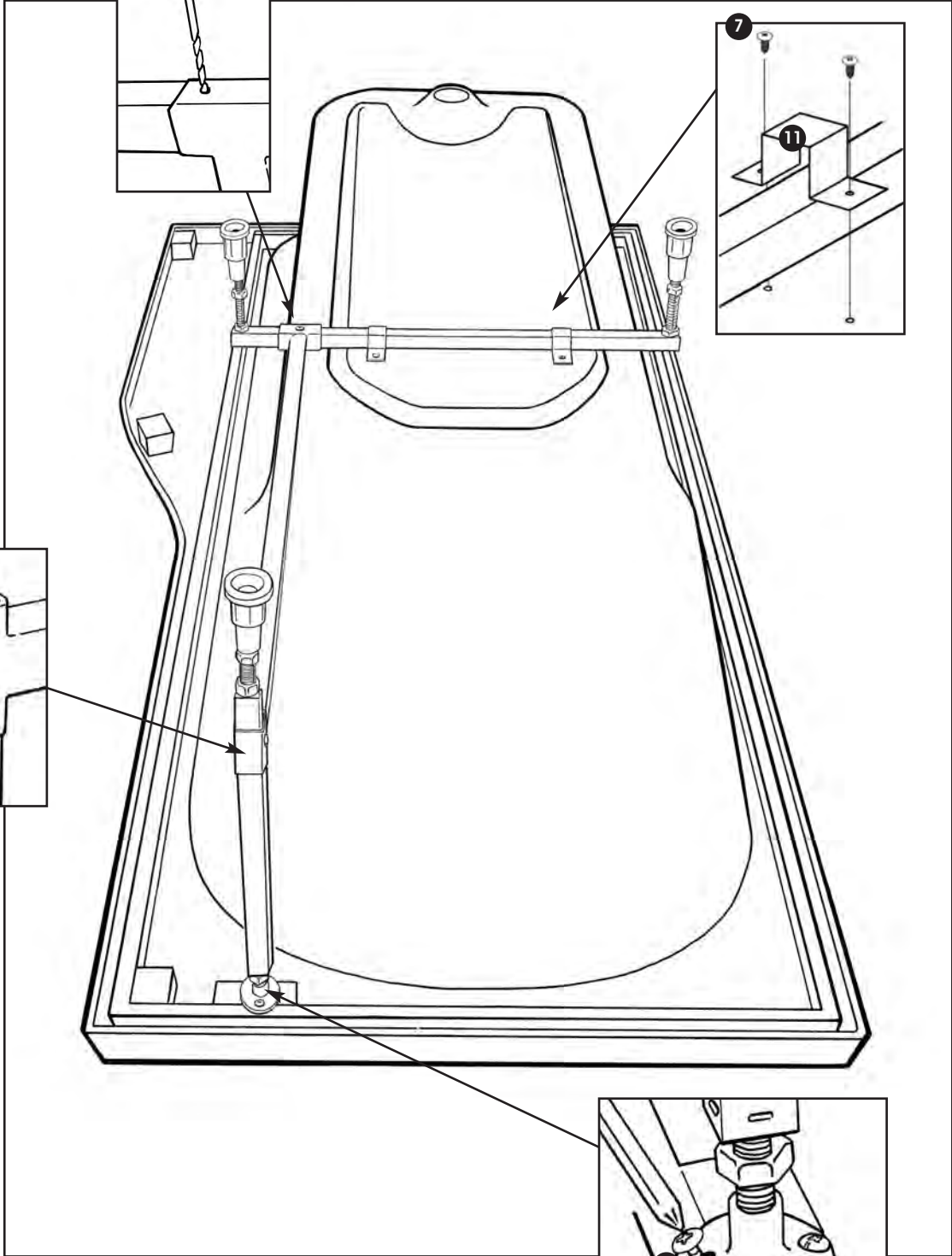
Tap end leg assembly



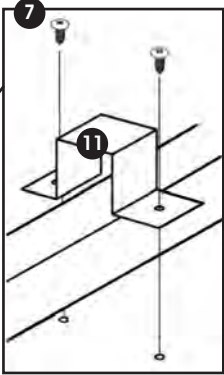
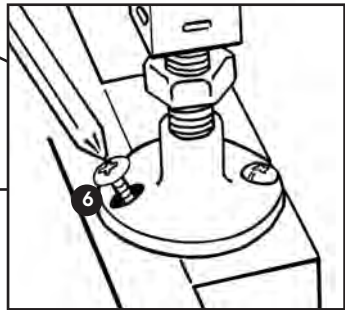
I - A LEFT HAND BATH WILL BE A MIRROR IMAGE

4

Fitting head end leg assembly

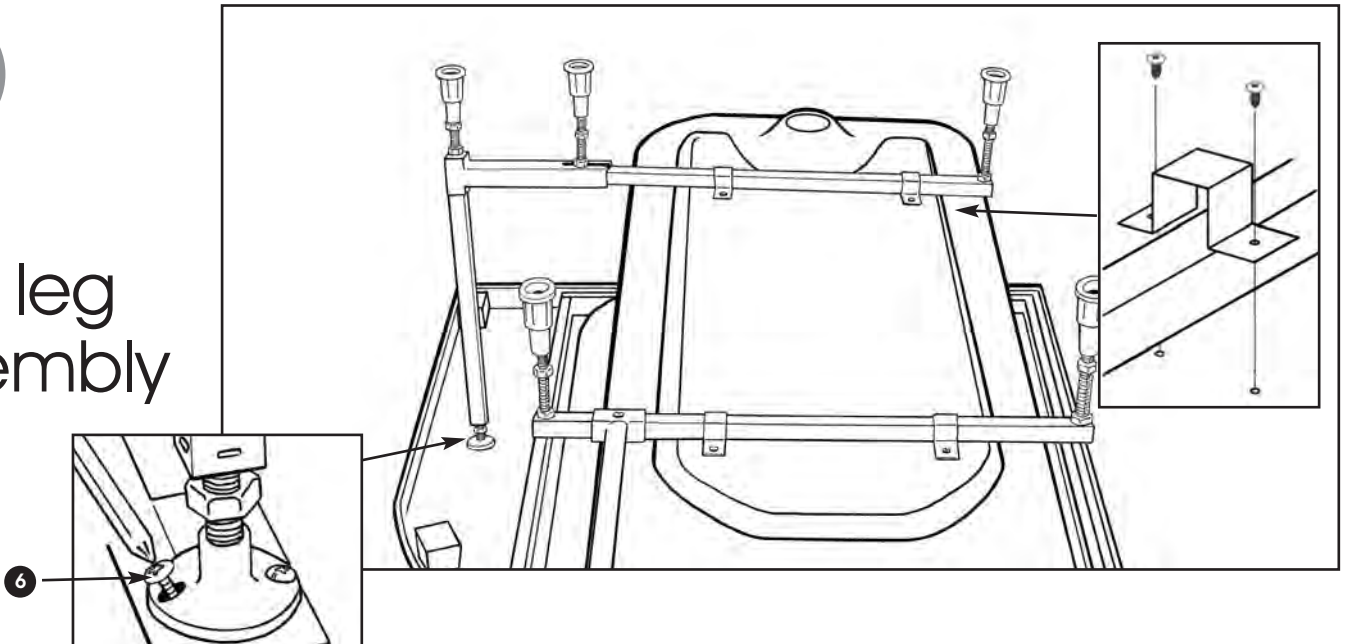


Drill hole here and fix together using self tapping screw (7)



5

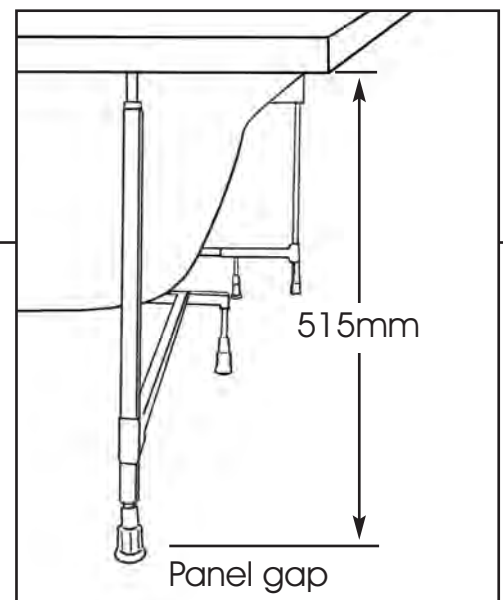
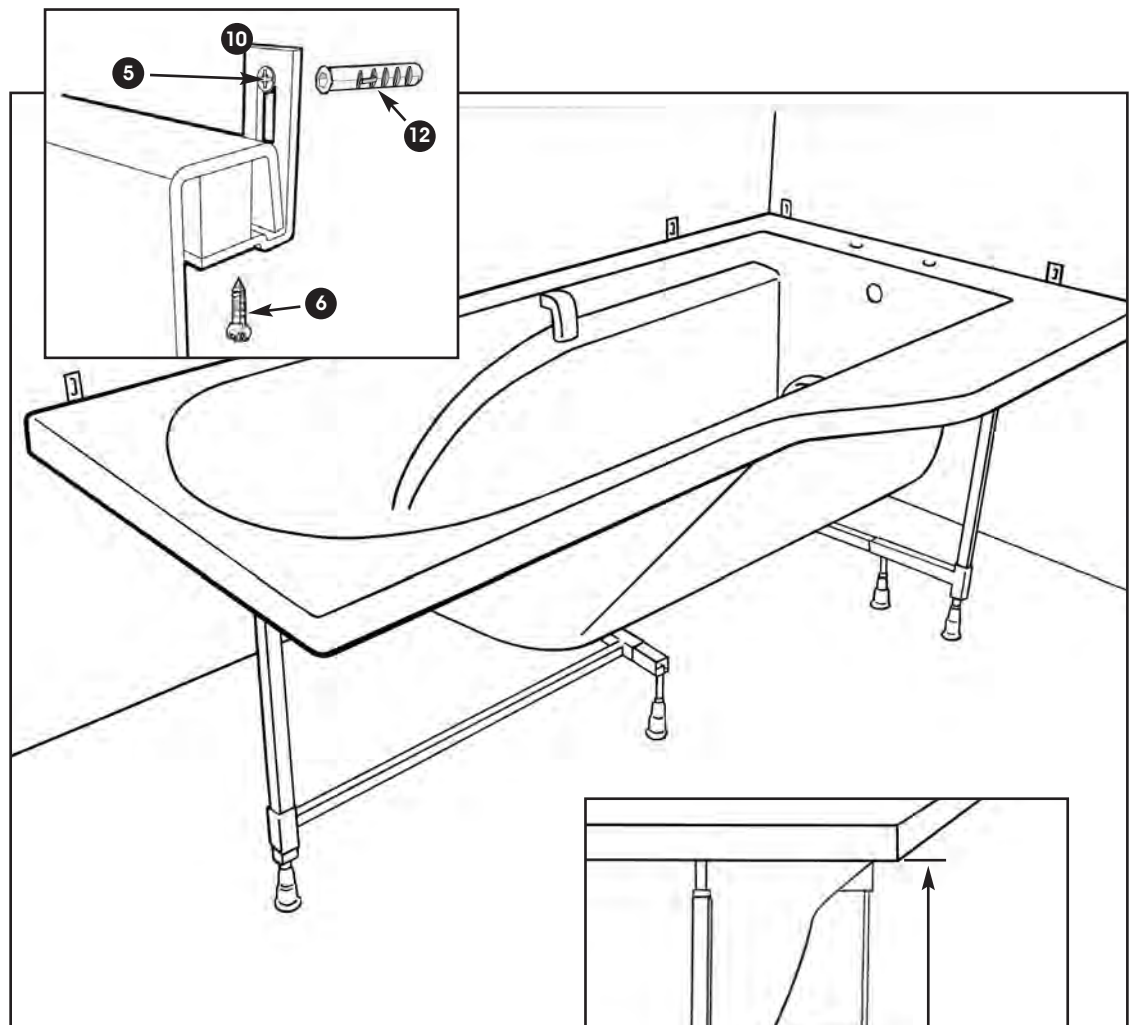
Tap end leg assembly



6

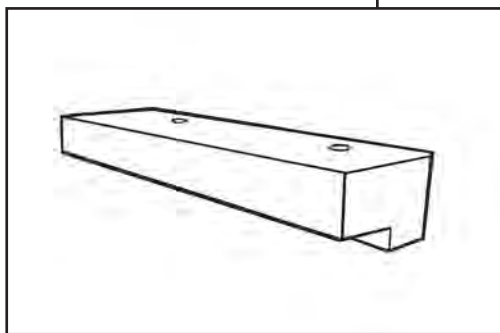
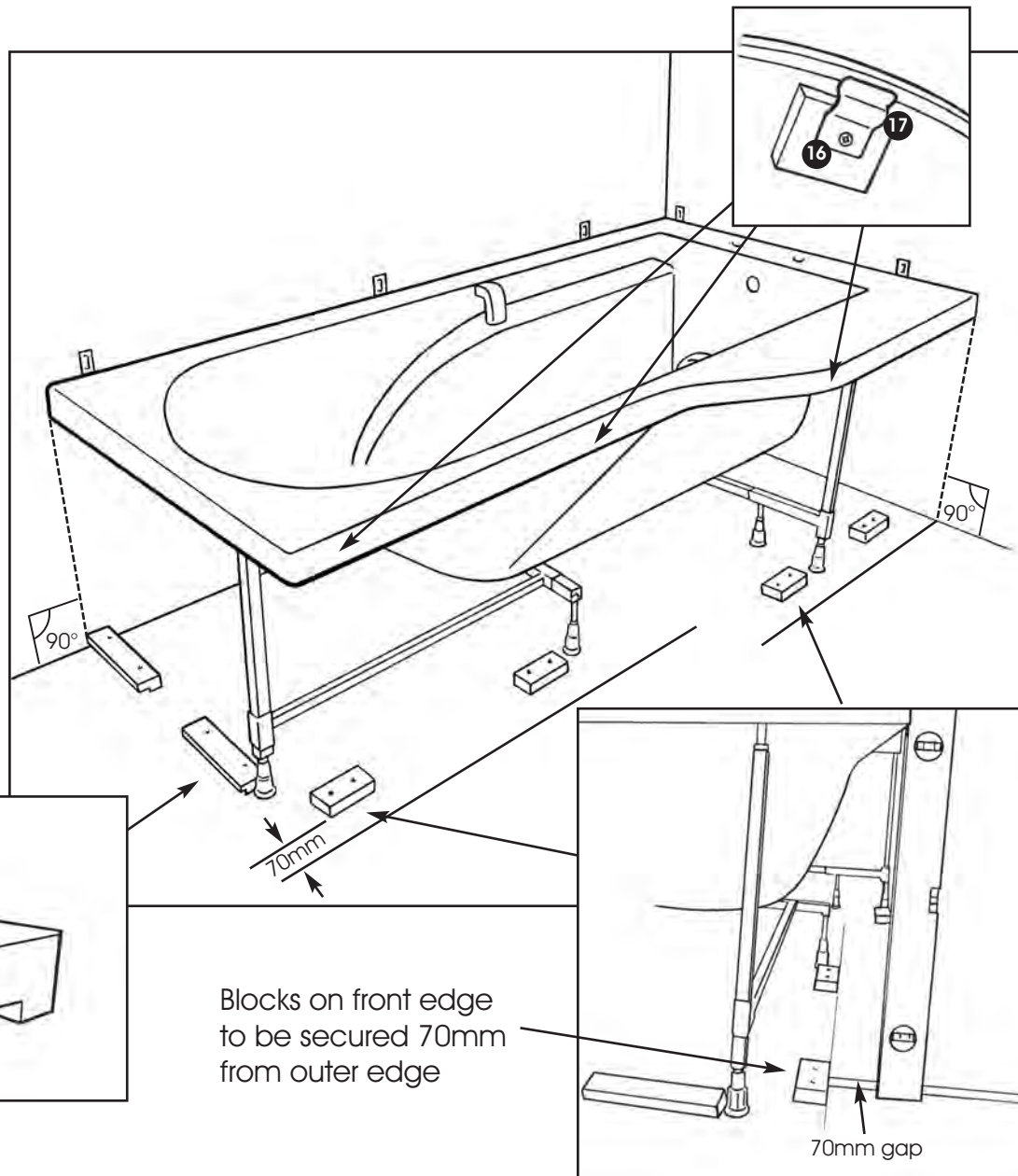
Final positioning

Turn the bath onto its feet and adjust the feet to the panel gap of 515mm and check the top rim is level in both directions. Fix the wall using the wall brackets provided. Make plumbing connections and check for leaks.



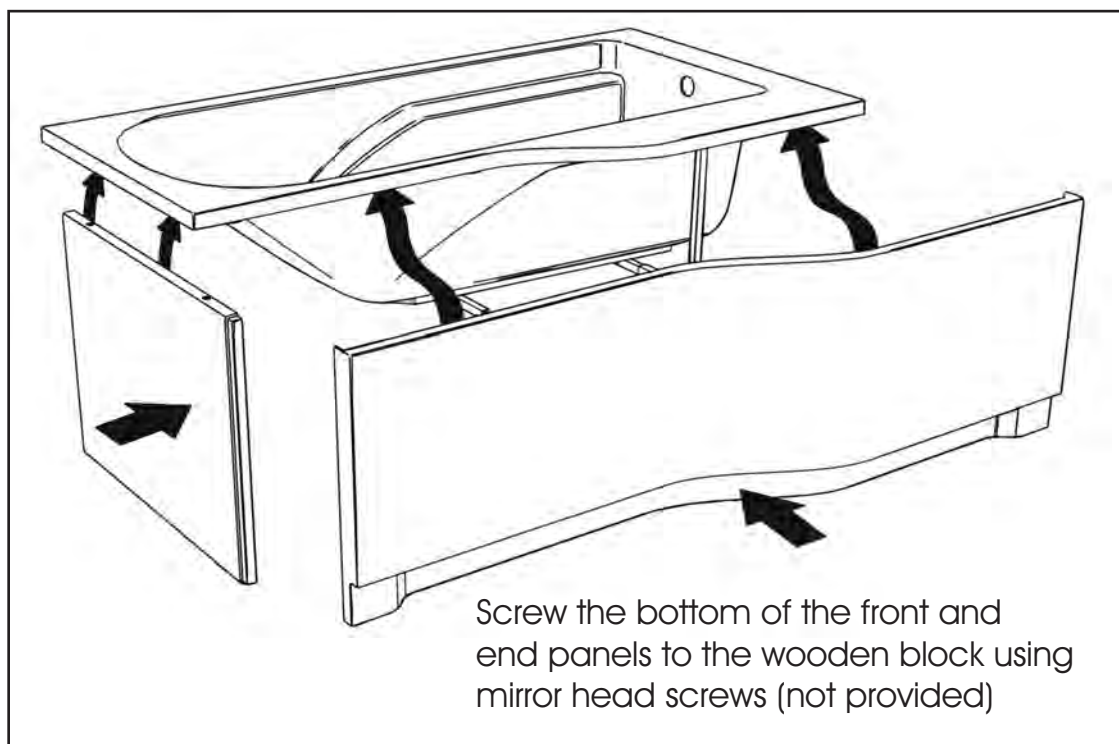
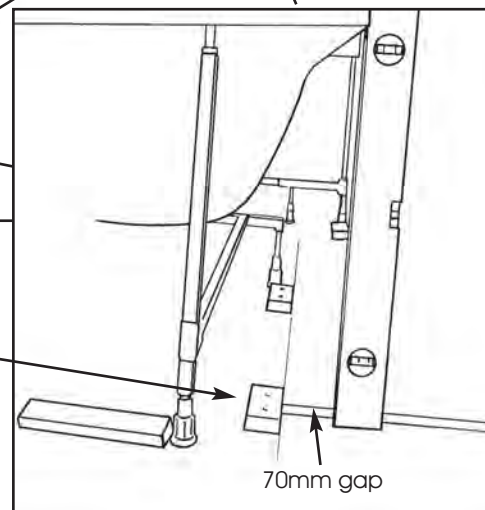
7

Bath Panels

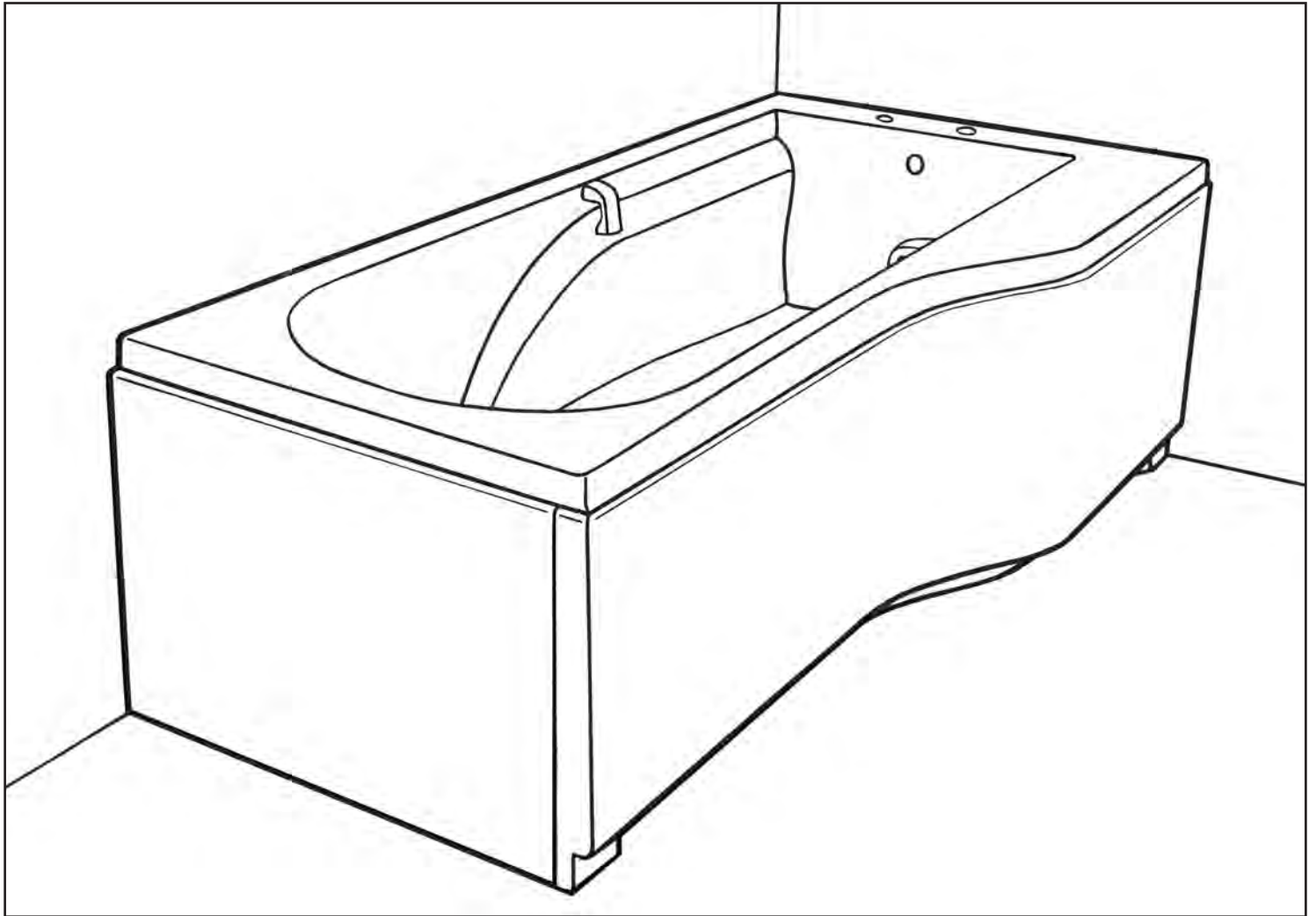


Blocks on front edge to be secured 70mm from outer edge

Blocks on end edge to be flush with outer edge of the bath and need a recess for the bottom return edge of the panel



Screw the bottom of the front and end panels to the wooden block using mirror head screws (not provided)



Care Instructions

Wipe around the bath after use and rinse with cold water. Most soiling can easily be removed by using a non-abrasive cleaner. DO NOT use scouring powders, which are not necessary and cause damage. Hair lacquer, nail lacquer and lacquer remover, paint strippers and some dry cleaning agents will damage the surface. Obviously a naked flame or lighted cigarette should not be allowed to come into contact as these will mark the surface (in SOME cases these burns can be removed by GENTLY rubbing with an abrasive surface such as a VERY FINE emery paper, and repolished with a metal polish).

Due to continuing development we reserve the right to update and amend technical details without prior notice.

General Tips

- Pilot drill all holes prior to screwing
- When screwing into the floor or walls make sure there are no pipes or electric cables behind
- If further work is to be carried out after the bath has been installed. Cover the bath to prevent damage



Twyford bathrooms

Registered office: Lawton Road, Alsager, Stoke-on-Trent ST7 2DF, UK

T: +44(0) 1270 879777 F: +44(0) 1270 873864

www.twyfordbathrooms.com

Part of the Sanitec Group

Ref: FI 24823

Whilst every care has been taken to ensure that the information included in this document was accurate at the time of printing, we reserve the right to change product specifications at any time without prior notice. The photographs reproduced in this publication are within the constraints of the printing process and are not to be used for matching purposes. All photographs are used for approximate representation only and may not show the actual products on offer. E&OE.