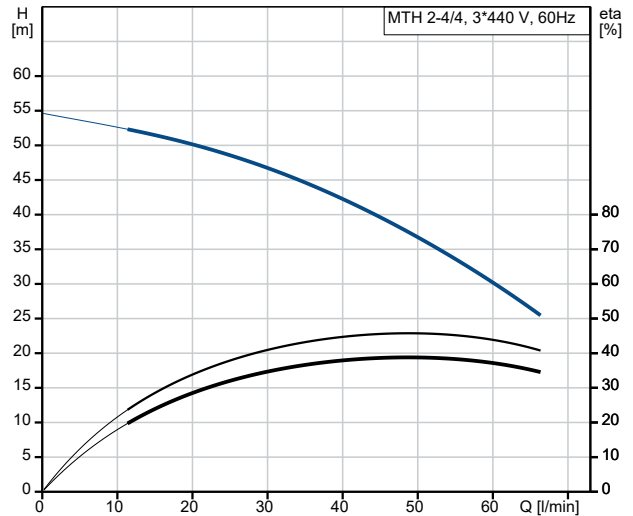
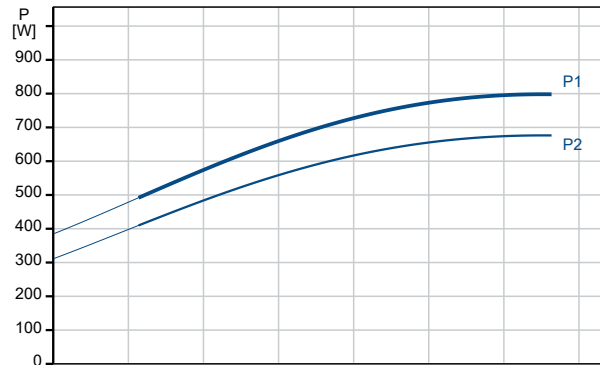


Description	Value
<b>General information:</b>	
Product name:	MTH 2-4/4 A-W-A-AQQV
Product No:	98992589
EAN number:	5712604834350
<b>Technical:</b>	
Rated flow:	50 l/min
Rated head:	37.4 m
Chambers:	4
Impellers:	4
Number of reduced-diameter impellers:	0
<b>Primary shaft seal:</b>	
Primary shaft seal:	AQQV
Code for shaft seal:	AQQV
Approvals:	CE,EAC,UKCA
Energy approvals for motor:	CE,CC,
Curve tolerance:	ISO9906:2012 3B
Pump version:	A
Model:	A
<b>Materials:</b>	
Pump housing:	Cast iron
	EN 1561 EN-GJL-200
	ASTM A48-25B
Impeller:	Stainless steel
	EN 1.4301
	AISI 304
Material code:	A
<b>Installation:</b>	
Maximum ambient temperature:	60 °C
Maximum operating pressure:	10 bar
Max pressure at stated temp:	10 bar / 90 °C
Type of connection:	Rp
Size of outlet connection:	3/4 inch
Immersion depth:	163 mm
Connect code:	W
<b>Liquid:</b>	
Pumped liquid:	Emulsion
Liquid temperature range:	-10 .. 90 °C
Selected liquid temperature:	20 °C
Density:	998.2 kg/m <sup>3</sup>
<b>Electrical data:</b>	
Motor standard:	IEC
Frame size:	80A
Multi plug:	N
IE efficiency class:	IE3 / NEMA Premium
Rated power - P2:	0.75 kW
Mains frequency:	60 Hz
Suitable for 50/60 Hz (Yes/No):	Y
Rated voltage:	3 x 220-255D/380-440Y V
Service factor:	1.30
Rated current:	2,95-2,75/1,70-1,60 A
Maximum current consumption:	3,85-3,35/2,22-1,94 A
Starting current:	600-740 %
Rated speed:	3440 rpm
Efficiency at full load:	77.0 %
Enclosure class (IEC 34-5):	IP54
Insulation class (IEC 85):	F
Ex-protection standard:	NONE



Pumped liquid = Emulsion  
 Liquid temperature during operation = 20 °C  
 Density = 998.2 kg/m<sup>3</sup>





Company name:

Created by:

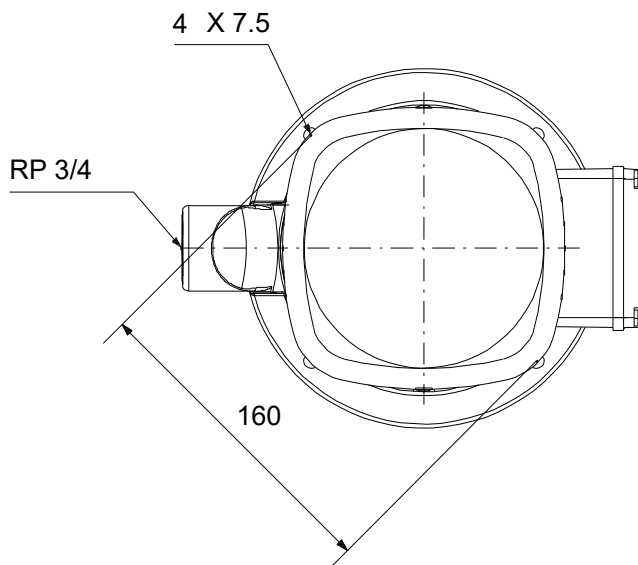
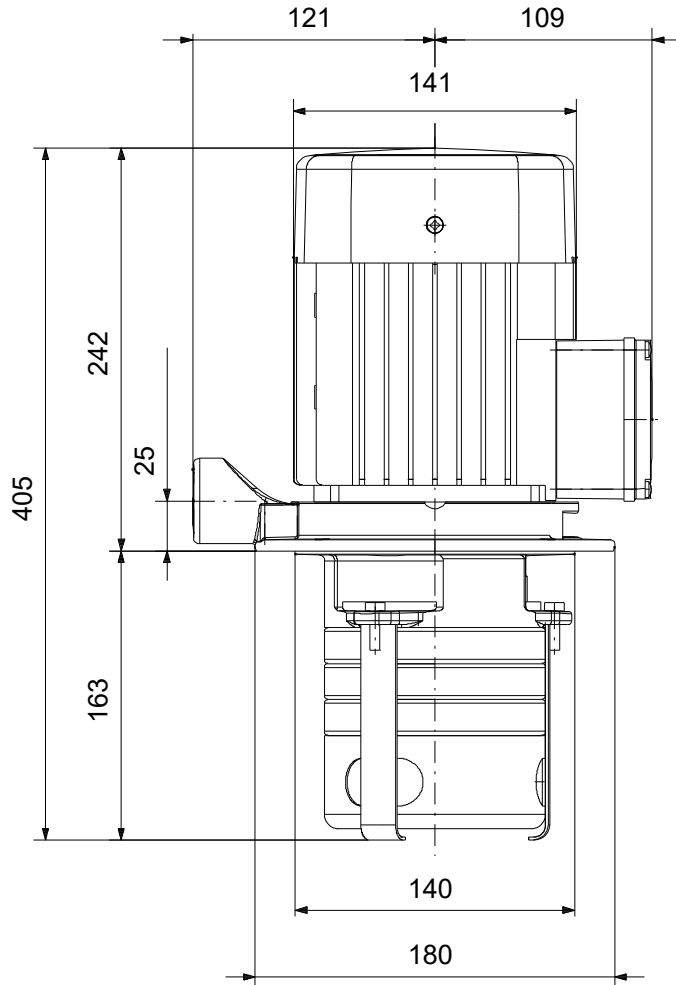
Phone:

Date:

19/05/2025

Description	Value
<b>Controls:</b>	
Frequency converter:	None
<b>Others:</b>	
Terminal box position:	6
Minimum efficiency index, MEI $\geq$ :	0.70
Net weight:	16.5 kg
Gross weight:	17.6 kg
Danish VVS No.:	386951004
Country of origin:	HU
Custom tariff no.:	84137075
Environmental approvals:	WEEE

## 98992589 MTH 2-4/4 A-W-A-AQQV 60 Hz



Note! All units are in [mm] unless others are stated.  
Disclaimer: This simplified dimensional drawing does not show all details.