

showers

# trevi logical kits hp

There are three Trevi Logical HP packs for high pressure systems. Each pack comes with a digital processor unit, a remote control handset and holder with options for top, base or side connection HP kit.

Digital, practical remote control.

- Remote control operation
- Safe - precise temperature control
- 5 flow settings at the touch of a button
- 3 function shower heads
- Minimal disruption
- Includes TMV3 & WRAS approved valve



**Illustrated**

**L6841AA** Trevi digital processor and top connection kit - high pressure

**Options**

**L6843AA** Trevi digital processor and base connection kit - high pressure

**L6845AA** Trevi digital processor and standard connection kit - high pressure

**Accessories**

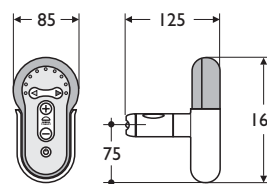
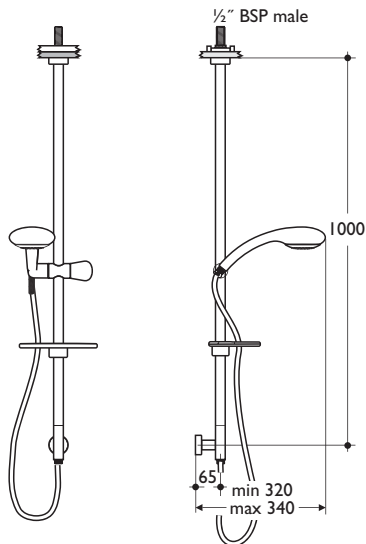
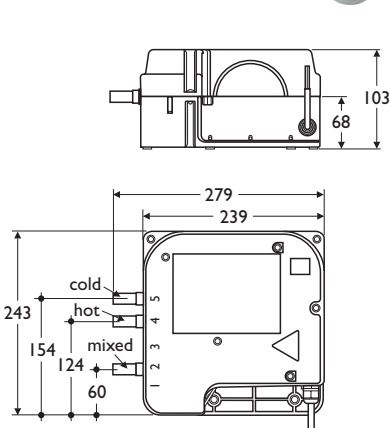
**A952100N** Wireless remote control  
**A922342AA** Remote control holder

**Special notes**

Automatic shutdown - 2 seconds in the event of cold water supply failure, 8 seconds in the event of power failure. 15 minute run time to avoid accidental long running. Built-in fault identificational diagnostics to simplify servicing. Continuous communication between control and receiver, automatic shutdown after 8 seconds if remote is taken out of range during use. Can be installed in any convenient location; airing cupboard, loft or under the bath.



TMV Thermostatic Mixing Valve Scheme approved. This product includes TMV3 approved valve and WRAS approved kit



valves & fittings

showers