

baths  
**nisa**

Heavy gauge steel bath particularly suitable for the specification market, hotel, housing associations and local authority housing.

Nisa baths are guaranteed for 30 years.

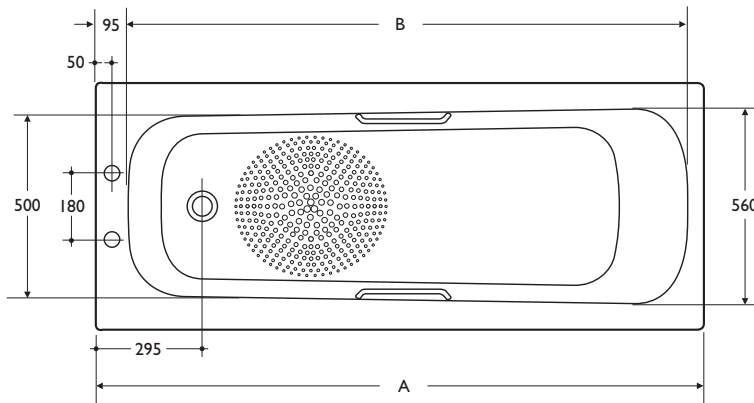
Supplied with slip resistant base, with or without handgrips and with or without tapholes.

- Domestic and commercial use
- Heavy gauge steel bath
- Slip resistant base
- 30 year guarantee

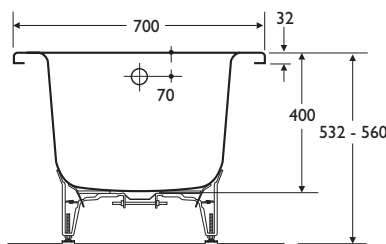


steel

baths



A	B
1700	1520
1500	1320



**Illustrated**

- S1863 Nisa 170cm bath with 2 tapholes and handgrips
- S7681 Fairline 3/4in deck mounted bath & shower mixer with 1525mm flexible hose, handspray and bracket, chromium plated metal handles
- S8830AA combined chain waste and overflow
- S0915 flat front plastic panel
- S0916 flat end plastic panel
- S9365 corner strip

**Material**

2.9mm heavy gauge porcelain enamelled supersteel

**Capacity**

37 gallons/167 litres (to overflow)

**Weight**

bath 48.4kg  
Front panel 3.5kg  
End panel 3.5kg

**Colours**

Available in White (01) only

**Options**

- S1865 170cm 2 tapholes, no handgrips
- S1864 170cm no tapholes, with handgrips

**Special notes**

Supported on steel cradle with adjustable feet. Care to be taken when cleaning, aggressive products may reduce the effectiveness of the slip resistant area

