

baths

Sandringham 1500

Simplicity meets style with Sandringham. This space efficient Idealform™ bath is compact but still large enough to indulge in a good soak. Comes with an attractive tread pattern, twin handgrips and in a choice of three colours.

- Domestic and hotel use
- Space saving design
- With or without tapholes
- Twin handgrips
- Part of matching suite


Illustrated

S1590 Sandringham 150cm bath with 2 tapholes, chromium plated handgrips
S7658AA Sandringham 3/4in deck bath single flow mixer, chromium plated
S8790AA Bath pop up waste, chromium plated
S0910 Universal 150 front panel
S0906 Universal 70 end panel

Material

Idealform™ cast acrylic sheet fully reinforced

Capacity

35 gallons/160 litres (to overflow)

Weight

Bath 18.1kg
 Front panel 5.0kg
 End panel 2.7kg

Colours

Available in White (01), Chablis (20) and Honey Moon (SW). Representations of colours available appear in Section 3, Colours

Standards

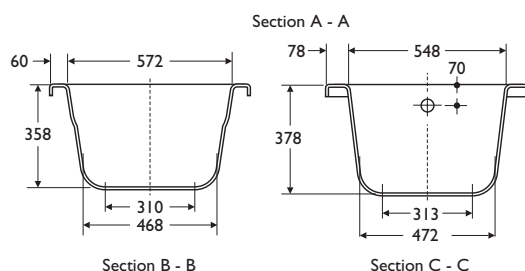
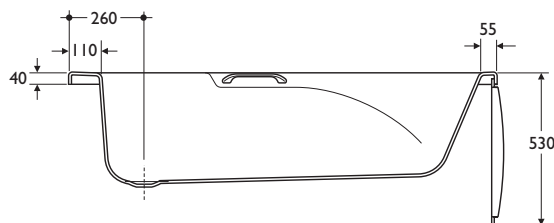
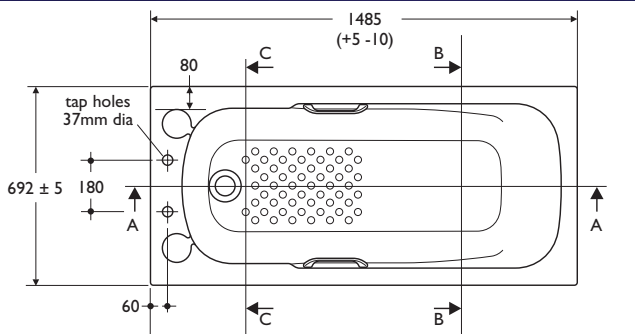
Constructed to BS 4305 (EN 198)

Options

S1589 Sandringham 150cm bath with no tapholes, chromium plated handgrips

Special notes

Frame and supports inclusive



compact

baths

