



Commercial & public fittings > W.C. flush valves > Connectors / Flush tubes >

STOP and FLOW CONTROL COCKS :

SPECIFICATIONS

Chrome plated solid brass stop and flow control cock.

Réf. : 764000 : straight, chrome plated F1"1/4 x F1"
Réf. : 764600 : straight, rough brass F1"1/4 x F1"
Réf. : 765000 : angled, chrome plated F1"1/4 x F1"
Réf. : 765020 : angled chrome plated FF3/4"



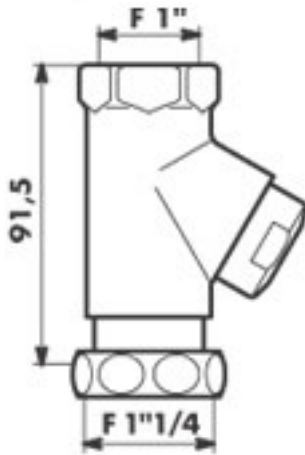
FONCTIONING AND APPLICATION

- Flow rate adjustment up to complete closing by rotation of the front screw.
- Use: to connect on any flush valve for WC.

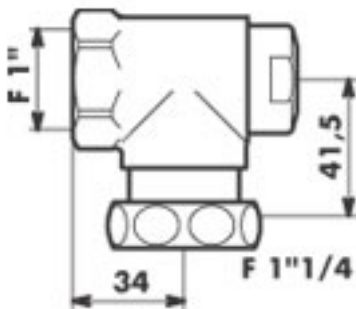
PRODUCT ADVANTAGES

- **FLOW RATE ADJUSTMENT** for a flush power adapted to main pressure : guarantees an efficient flush without spatter.
- **EASY MAINTENANCE** through isolation of one flush valve without having to stop all the flush valves on the same water supply pipe.

764000



765000



765020

