

Centrifugal Fans and Blowers

Single Inlet

Single Inlet Fans

A range of eight compact direct drive centrifugal fans offering good air flows and pressure capabilities for their size.

The fans are normally mounted from the outlet flange for simple installation. The larger units provide high velocity discharge for spot cooling applications.

General Installation Conditions

These fans are suitable for handling ambient air at temperatures up to 40°C. and should be fitted with the motor shaft horizontal.

Space should be allowed around the motor (and, if shrouded, provision made for ventilation slots) to avoid overheating.

The fans must not be used for handling explosive, inflammable or corrosive gases, nor sighted in such environments.

Typical applications

Cooling air for electronics, manufacturing processes and general ventilation. Used also for supply air input into gas burners.

Specifications:

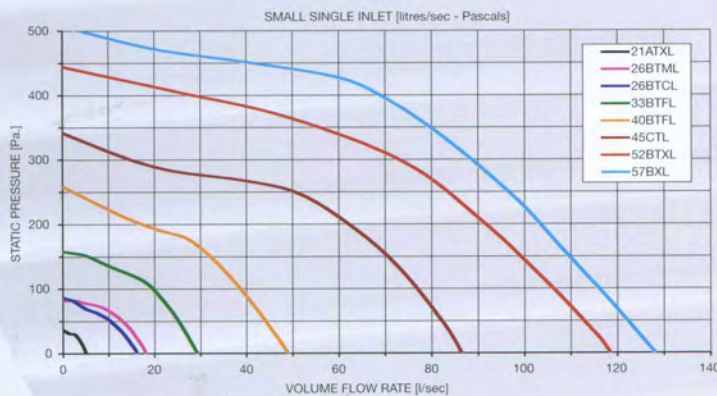
The fan models 21ATXL & 26BTCL utilise aluminium die cast casings incorporating aluminium impellers and are driven by open frame shaded pole motors.

The 26BTML is manufactured in ABS plastic for the casing & impeller, and is also driven by an open frame shaded pole motor.

The 33BTFL, 40BTFL, 45CTL, 52BTXL and 57BXL units incorporate aluminium impellers with the cases fabricated from mild steel.



PERFORMANCE DATA



AIRFLOW™

SPECIALISTS IN AIR MOVEMENT
TECHNOLOGY SINCE 1955

Maintenance

Very little servicing is required. The motor bearings are "sealed for life" and no provision is made for re-lubrication. It is recommended that the impeller is carefully cleaned annually, or more frequently where dusty conditions prevail.

The motors used are:

- 33BTFL – open frame shaded pole
- 40BTFL – ventilated dual voltage shaded pole
- 45CTL – ventilated dual voltage shaded pole
- 52BTXL – totally enclosed permanent capacitor
- 57BXL – totally enclosed permanent capacitor

For connection to an electrical supply all motors in this fan group have flying leads.

Speed Control

A degree of speed control by voltage variation is possible with the 33BTFL, 40BTFL, & 45CTL.

Variants for OEM Applications

The fans as described here can be supplied in any quantity with some ex-stock capability (please contact Customer Services for availability). However, where Original Equipment Manufacturers require non-standard features for their application, modifications to the standard designs can be offered when production quantities exceed, normally 100 off batches.

Typical of these are:

- fitting motors suitable for non-standard voltages.
- variations to the dimensions & fixing arrangements on outlet flanges, or no flange.
- opposite hand rotation.
- shaft vertical operation.
- high temperature applications on some models
- guards for inlets and/or outlets.
- inlet spigots.
- using non-standard impeller diameters and widths, with appropriate housings, to meet specific flow & pressure parameters.

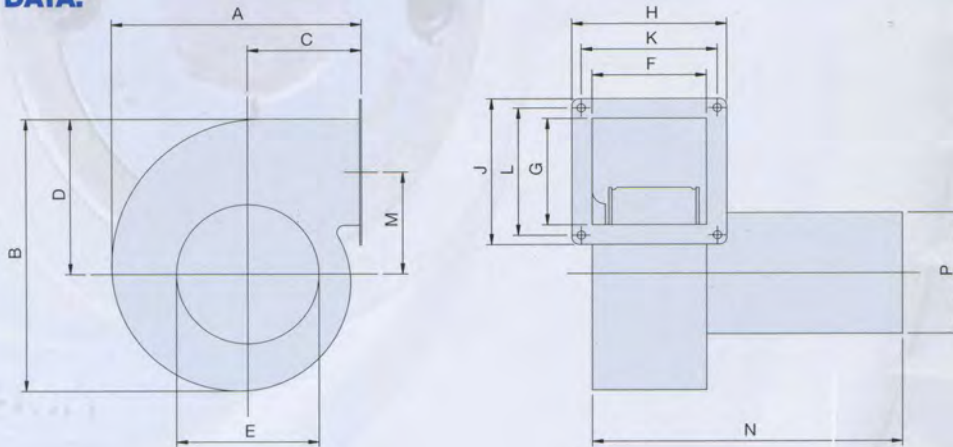
TECHNICAL DATA:

Fan Model	Supply Voltage	Frequency	Capacitor value	Max running current	Start current (approx)	Max input watts	Max air flow	Min static pressure	Noise level	Speed at max air flow	Weight	Max ambient temp
	Volts	Hz	µF	Amperes	Amperes	Watts	Litres/s	Pascal	dBA*	Rev/m	kg	°C.
21ATXL	230	50	N/a	0.12	0.155	15	5.1	0	34.	2720	0.7	40•
26BTML	230	50	N/a	0.12	0.155	15.5	18.2	0	40	2230	0.7	40•
26BTCL	230	50	N/a	0.12	0.155	15	16.2	0	34	2180	0.9	40•
33BTFL	230	50	N/a	0.20	0.27	29.5	29.3	0	41	2380	1.3	40•
40BTFL	115/230	50	N/a	0.75/0.375	1.08/0.54	57	49	0	50.5	2500	1.5	40•
45CTL	115/230	50	N/a	1.8/0.9	2.4/1.2	130	86.5	0	56.5	2330	2.4	40•
52BTXL	230	50	4	0.63	2.35	144	118.5	0	59	2835	3.5	40•
57BXL	230	50	4	0.81	2.35	187	128	0	63.5	2730	4.4	40•

*at 1metre

• Impedance Protection
• Thermal Protection

DIMENSIONAL DATA:



Fan Model	A	B	C	D	ØE INLET	F INSIDE	G INSIDE	H	J	K CRS	L CRS	M	N	ØP
21ATXL	85	88	43	49	42	28	34	-	-	47	-	30	90	-
26 BTML	102	116	46	66	57	52.4	41.3	-	-	-	50.8	-	114	-
26 BTCL	102	116	45	73	57	51	41	-	-	-	51	-	112	-
33 BFTL	130	135	62	76.5	67	57	46.4	83	72	70	60	53.3	125	-
40 BFTL	141	156	64	90	83	57	64	84	90.5	69.8	76.2	58	157	83
45 CTL	172	189	79	107	95.5	76	73	103	100	90.5	87.3	70	206	83
52 BTXL	195	216	89	124	111	64	89	117.5	117.5	88.9	73	78.5	175	100
57 BXL	214	232	98	131	133	64	89	117.5	117.5	88.9	73	85.7	175	100

(i) Dimensions are for guidance only - certified drawings available.

AIRFLOW™

Airflow Developments Limited, Lancaster Road, Cressex Business Park, High Wycombe, Buckinghamshire HP12 3QP
Telephone: (Int +44) (UK 0) 1494 525252,
SALES LINE 0845 330 1047, Facsimile: (Int +44) (UK 0) 1494 461073 E-Mail: info@airflow.co.uk Web Site: www.airflow.com



AF IS 09/06

VISIT US AT www.airflow.co.uk
SALES LINE 0845 3301047

© Airflow Developments Limited. Airflow Developments Limited reserves the right, in the interests of continuous development, to alter specifications without prior notice. All orders are accepted subject to our conditions of sale which are available on request.