

Centrifugal Fans and Blowers

Double Inlet



Double Inlet, Double Width Fans

A range of ten standard models designed specifically for applications where low noise levels are critical. Resiliently mounted low speed motors coupled with large fan outlets provide low air velocities – the main contributor to quiet running fans.

For installations where higher resistances to flow need to be overcome some versions are available with higher speed motors to generate more pressure capability.

The fans are normally mounted from their outlet flanges which can be for either vertical or horizontal discharge.

General Installation Conditions

These fans are suitable for handling ambient temperatures up to 40°C. and should be fitted with the motor shaft horizontal. If this temperature is exceeded there is a risk of the motors overheating and triggering the in-built thermal protection devices.

The fans must not be used for handling explosive, inflammable or corrosive gases, nor sighted in such environments.

Typical applications

Widely used in air conditioning units, heat recovery, VAV boxes and smaller air handling units.

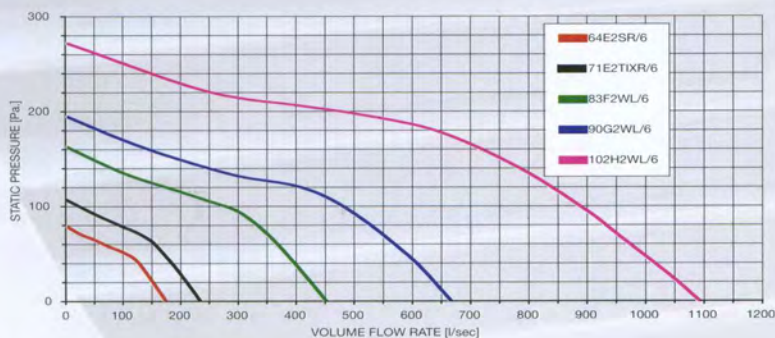
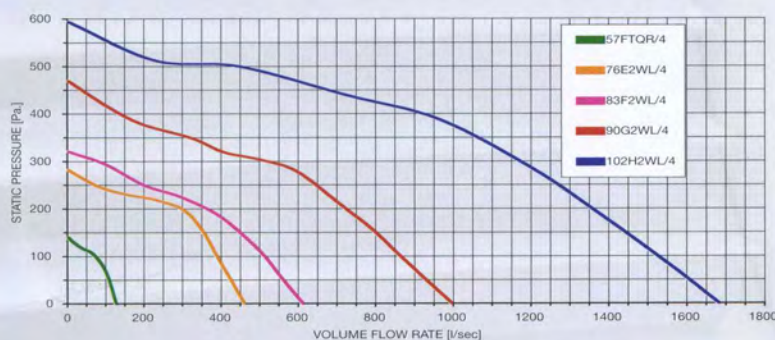
Specifications:

All models feature multivane impellers manufactured from aluminium or mild steel housed in cases fabricated from mild steel. Permanent capacitor motors have been specified for this range (except the 57FTQR) for their comparative efficiency and better speed & noise control.

Outlet flanges with fixing holes for ease of installation are integral on each model.

Whilst the 57FTQR is offered with flying leads for electrical connection the rest of the range have pre-wired capacitors mounted on the fan case side together with a terminal block.

PERFORMANCE DATA



AIRFLOW™

SPECIALISTS IN AIR MOVEMENT
TECHNOLOGY SINCE 1955

Speed Control

All models offer a good range of speed controllability by voltage variation.

Maintenance

Very little servicing is required. The motor bearings are "sealed for life" and no provision is made for re-lubrication. It is recommended that the impeller is carefully cleaned annually, or more frequently where dusty conditions prevail.

Variants for OEM Applications

The fans described here can be supplied in any quantity with some ex-stock capability (please contact Customer Services for availability) However, where Original Equipment Manufacturers require non-standard features for their application, modifications to the standard designs can be offered when production quantities exceed, typically, 100 off. Examples of possible variations are:

- fitting motors for non standard voltages.
- variations to the outlet flange, or no flange.
- opposite hand rotation.
- inlet guards, spigots & spigotted guards.
- use of non standard impeller diameter/width combinations to meet specific performance requirements.

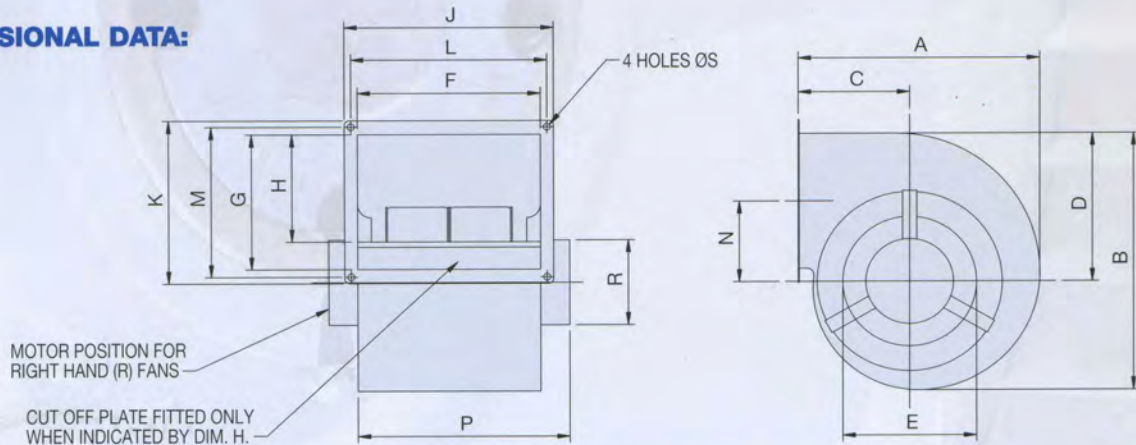
TECHNICAL DATA:

Fan Model	Supply voltage	Frequency	Capacitor value	Max running current	Start current (approx)	Max input watts	Max air flow	Min static pressure	Noise level	Speed at max air flow	Weight	Max ambient temp
	Volts	Hz	µF	Amperes	Amperes	Watts	Litres/s.	Pascal	dBa *	Rev/m	kg	°C.
57FTQR/4	230	50	N/A	0.53	0.75	92	125	0	48.5	1150	3.2	40●
64E2SR/6	230	50	1	0.34	0.48	71	173	0	36.5	770	4.65	40●
71E2TIXR/6	230	50	2	0.5	0.81	105	235	0	45.5	850	6.7	40●
83F2WL/6	230	50	5	0.87	1.25	210	450	0	50	810	8.0	40●
90G2WL/6	230	50	6	1.75	2.95	375	665	0	52	810	10.0	40●
102H2WL/6	230	50	10	3.2	6.0	700	1090	0	57	850	17.9	40●
76E2WL/4	230	50	6	1.5	2.65	345	460	0	63.5	1280	7.0	40●
83F2WL/4	230	50	8	2.4	3.9	505	610	0	65	1120	8.5	40●
90G2WL/4	230	50	14	4.2	8.8	985	995	0	60.5	1270	14.2	40●
102H2WL/4	230	50	25	10.3	24.0	2350	1700	0	65.5	1260	24.5	40●

*at 1 metre

● thermal protection

DIMENSIONAL DATA:



Fan Model	A	B	C	D	ØE	F INSIDE	G INSIDE	H	J	K	L	M	N	P	R	S
57FTQR/4	224	248	102	142	127	127	95	-	166	136	149	119	94	140	-	5.6
64E2SR/6	278	305	129	175	140	210	127	-	250	167	232	149	110	26	99	9.6
71E2TIXR/6	278	305	129	179	140	210	127	-	250	167	232	149	110	255	105	9.6
83F2WL/6	332	365	153	210	183	249	192	-	288	230	270	212	114	296	107	9.6
90G2WL/6	360	392	167	226	197	286	235	180	325	275	308	257	108	322	126	8.0
102H2WL/6	409	444	191	256	235	352	263	143	410	320	384	295	121	433	143	9.6
76E2WL/4	304	334	142	191	183	216	178	121	260	222	238	200	102	262	107	9.0
83F2WL/4	332	365	153	210	183	249	192	-	288	230	270	212	114	296	126	9.6
90G2WL/4	360	392	167	226	197	286	235	180	325	275	308	257	108	356	143	8.0
102H2WL/4	409	444	191	255	235	352	263	143	410	320	384	295	121	489	143	9.6

(i) Dimensions are for guidance only - certified drawings available.

AIRFLOW™

Airflow Developments Limited, Lancaster Road, Cressex Business Park, High Wycombe, Buckinghamshire HP12 3QP
 Telephone: (Int +44) (UK 0) 1494 525252.
 SALES LINE 0845 330 1047, Facsimile: (Int +44) (UK 0) 1494 461073 E-Mail: info@airflow.co.uk Web Site: www.airflow.com



AF DI 09/06

VISIT US AT www.airflow.co.uk
 SALES LINE 0845 3301047

© Airflow Developments Limited. Airflow Developments Limited reserves the right, in the interests of continuous development, to alter specifications without prior notice. All orders are accepted subject to our conditions of sale which are available on request.

For latest prices and delivery to your door visit MyTub Ltd - www.mytub.co.uk - info@mytub.co.uk

