

washbasins

# montana 58 • 51

Montana washbasins in vitreous china are available in 2 sizes, 58cm x 48cm and 51cm x 41cm.

This versatile washbasin is suitable for wall or pedestal fixing.

Available with 2 tapholes at 20cm centres or with single taphole for monoblock fitting.

- Domestic and commercial use
- General purpose washbasin
- Part of extensive suite
- Single or 2 tapholes
- Wall or pedestal fixing



**Illustrated**

S2104 Montana 580mm washbasin with single central taphole

S2920 Montana pedestal

S7300 Millenia 1/2in monoblock mixer with non-return valves and 1 1/4in pop-up waste, body only

S8000 Millenia metal handles

S9000 Isovalve servicing valves

**Material**

Vitreous china

**Weight**

58cm washbasin 14.0kg

51cm washbasin 11.0kg

S2920 pedestal 9.0kg

**Colours**

Available in White (01) only

**Standards**

Vitreous china to BS 3402

**Options**

S2100 51cm washbasin, 2 tapholes and chainstay hole

S2101 51cm washbasin, single central taphole

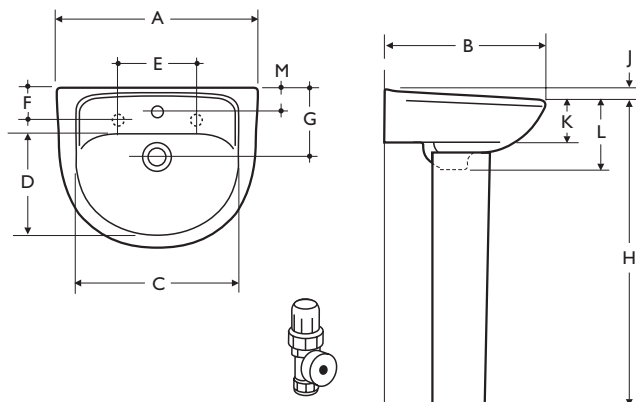
S2103 58cm washbasin, 2 tapholes and chainstay hole

S9110 concealed hangers with

S9145 centre bracket for wall fixing

**Special notes**

Washbasin pedestal mounted using 2 screws through the back of the basin (not supplied)



A	B	C	D	E	F	G	H	J	K	L	M
510	410	420	260	200	80	175	795	25	110	175	55
580	475	480	310	200	78	180	795	45	110	190	65

pedestal & wall

washbasins

