

washbasins

# halo 60.55

General purpose, full pedestal or wall mounted washbasin.

- Domestic and commercial use
- Distinctive design
- Wall or pedestal mounted
- Two sizes

pedestal & wall

washbasins



**Illustrated**

S2008 Halo 60cm washbasin, single central taphole  
E0830 Pedestal  
A3270 Halo single lever monoblock basin mixer, with pop up waste

**Material**

Vitreous china

**Weight**

60cm washbasin 14.5kg  
55cm washbasin 13.0kg  
Pedestal 10.9kg

**Colours**

Available in White (01) only

**Standards**

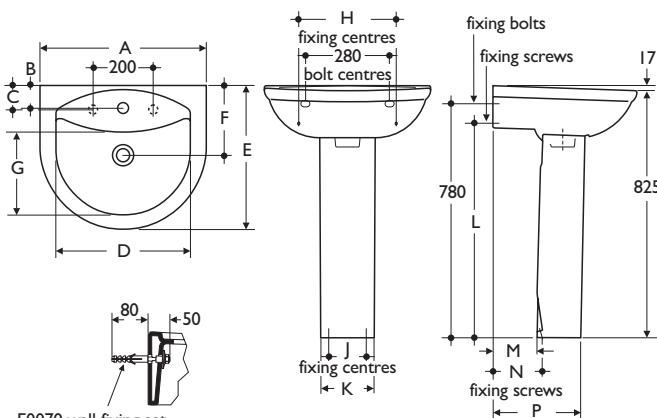
Vitreous china to BS 3402

**Options**

S2009 Halo 60cm washbasin, 2 tapholes  
S2013 Halo 55cm washbasin, single central taphole  
S2014 Halo 55cm washbasin, 2 tapholes  
E0070 Washbasin wall fixing set

**Special notes**

Washbasin wall mounted using E0070 wall fixing set or washbasin pedestal mounted using 2 screws through the back of the basin (not supplied)



E0070 wall fixing set (not supplied)  
section through basin showing wall fixing bolts

55cm		60cm			
A	550	600	H	325	310
B	75	85	J	125	110
C	80	90	K	180	175
D	445	480	L	715	710
E	475	505	M	145	155
F	230	235	N	165	170
G	275	295	P	290	300

