

washbasins

contour 21 accessible 60 • 56

Contour 21 accessible 60cm and 56cm are washbasins designed specifically to allow people using wheelchairs access to the washbasin wash area.

Innovative hand hold facility around front rim of basin.

- Commercial and domestic use
- Provides knee clearances
- Two sizes
- Ergonomic design
- Innovative hand hold facility
- Option for wall or panel fixing set



Illustrated

S2168 Contour 21 60cm accessible basin, one centre taphole with overflow no chain hole
A4131AA Contour 21 basin mixer thermostatic sequential, long lever, chromium plated
S8733AA 1 1/4in slotted waste with swivel plug
E0079AA Contemporary chromium plated 1 1/4in bottle trap with 75mm seal
E0157 Wall fixing set

Material
Vitreous China

Weight
56cm washbasin 16.9kg
60cm washbasin 17.6kg

Colours
Available in White (01) only

Standards
Vitreous china to BS 3402

Option 60cm

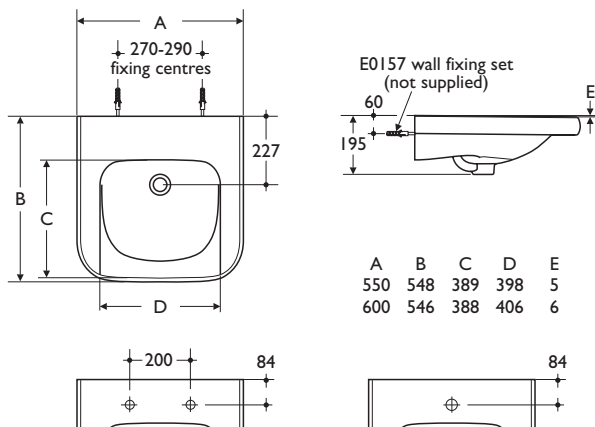
A4169AA Contour 21 basin mixer thermostatic sequential, long lever, fixed copper tails, chromium plated
S2169 Contour 21 60cm accessible basin, two tapholes with overflow and chain hole
S2167 Contour 21 60cm accessible basin, no tapholes with overflow no chain hole

Option 56cm

S2165 Contour 21 56cm accessible basin, one centre taphole with overflow no chain hole
S2164 Contour 21 56cm accessible basin, no tapholes with overflow no chain hole
S2166 Contour 21 56cm accessible basin, two tapholes with overflow and chain hole

Special notes

Suggested rim height 680-700 for wheelchair or seated users.
Washbasin wall mounted using E015767 wall fixing set or panel mounted using E006267 fixing set



pedestal & wall washbasins

