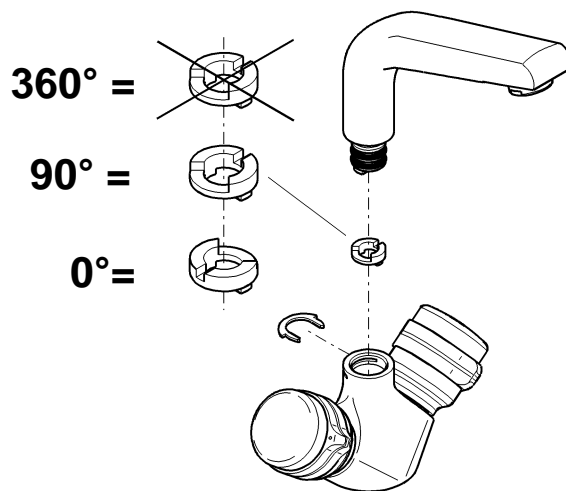
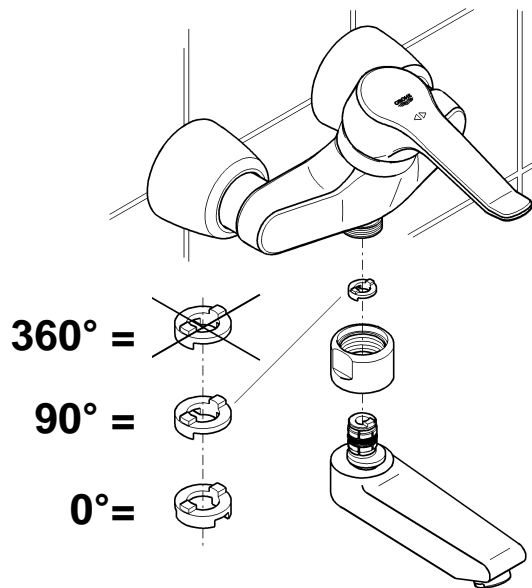


GROHE

WATER TECHNOLOGY



97.356.031/ÄM 20 937/09.00