

# Submersible Pumps

The Supersub and Supervort submersible pumps provide a solution to most general purpose applications. All models incorporate an adjustable float switch, providing automatic pump control.

### Application

**Supersub** - suitable for clean water, rain water, waste water or pond applications. Waste water is water that has been used in the home, for instance, dishwasher, shower and laundry water.

**Supervort** - suitable for dirty water applications and capable of handling semi-solids in suspension of up to 20 mm in diameter. They are also suitable for all applications specified in the Supersub range - ideal for ponds with large gravity fed filter systems where the pump can be incorporated in the filter, with suitable protection to allow water only to enter the pump.

Neither Supersub or Supervort pumps are suitable for foul sewage.

### Materials

Body	Polypropylene
Impeller	Polyamide
Motor casing	Aluminium & Stainless steel
Pump shaft	304 Stainless/ceramic
Seal	Two separate lip seals

### Operating Conditions

Max. liquid temp.	35°C
Min. liquid temp.	4°C
Max. immersion depth	7 m
Cable	H05RN-F3 10 m

### Pump Connection Sizes

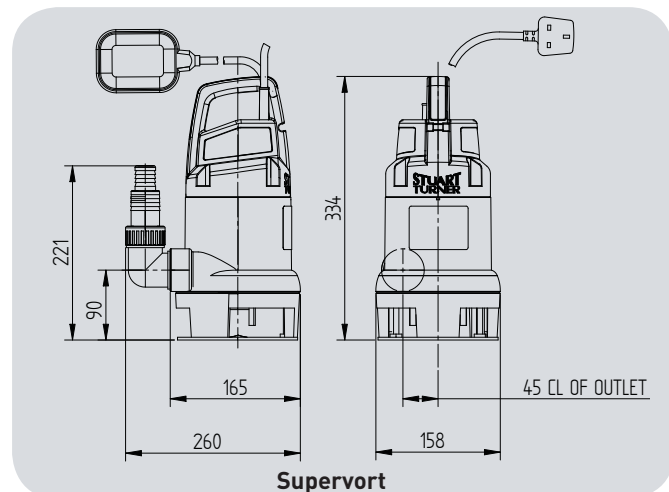
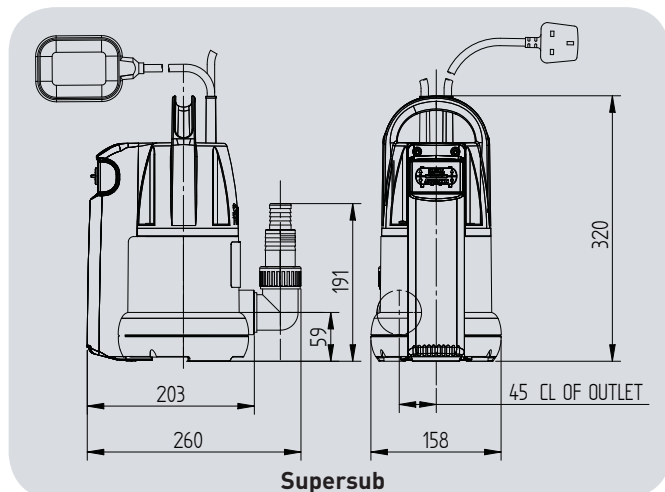
All models	G 1½ Female
------------	-------------



# Submersible Pumps

Model	Motor*	Nominal Watts	Watts full flow	Amps full load	Impeller	Seal	Carton dims. mm			Gross weight (packed) kg	Part no.
							L	x W	xH		
Supersub 230A	230/1/50	400	466	2.1	PA	Double Lip	220	160	360	5.7	46540
Supervort 140A	230/1/50	225	320	1.4	PA	Double Lip	220	160	360	4.6	46541
Supervort 240A	230/1/50	425	513	2.3	PA	Double Lip	220	160	360	5.8	46542

\*Built to IPX8, all motors are designed for continuous running and feature thermal overload protection. A residual current device having a rated current not exceeding 30mA must be installed in the supply circuit.



All models are supplied complete with a G 1½ M x G 1½ M x 90° elbow and a G 1½ F stepped hose connector, suitable for 25, 32 or 38 mm bore hose.

Stuart Turner Ltd  
Henley-on-Thames  
Oxfordshire RG9 2AD  
England

Telephone:  
+44 (0)1491 572655  
Fax:  
+44 (0)1491 573704

Email:  
pumps@stuart-turner.co.uk  
Web:  
www.stuart-turner.co.uk

**STUART  
TURNER**

Stuart Turner Limited reserves the right to amend specifications without notice

Pt. No. 19427 Issue 3713/1-05

For latest prices and delivery to your door visit MyTub Ltd - [www.mytub.co.uk](http://www.mytub.co.uk) - [info@mytub.co.uk](mailto:info@mytub.co.uk)