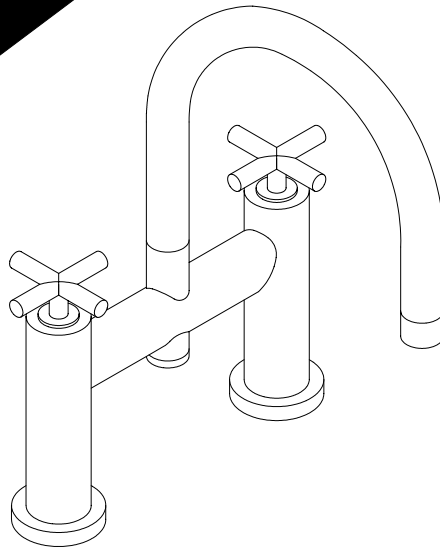


## General fitting guide for Bath Fillers & Bath/Shower Mixers



Consult a qualified plumber if you  
have any problems installing this product.

The Company reserves the right to continually evolve its product line without notification. The Company will not accept any liability regarding specification changes and their consequences unless previously quoted by the Company in writing.

### INTRODUCTION

The model supplied may vary from the image shown. For example, your chosen product may have lever handles or screw down valves, or may, in the case of a bath shower mixer, incorporate a cradle to support the handset. Other models have remote brackets to support the handset. Please note that the general installation process for all Bath Fillers & Bath/Shower mixers is the same, and the following guide will take you through the process.

### GUARANTEE AND AFTERCARE

During installation, extra care must be taken to avoid damaging the fitting or its finish. To maintain the appearance of the fitting, please ensure it is cleaned regularly using a clean soft damp cloth only. Abrasive cleaners or detergents must not be used as they may cause surface deterioration. We provide a ten year guarantee against faulty workmanship or materials (excluding serviceable parts), providing they have been installed, cared for and used in accordance with our instructions.

### FITTING PROCEDURE

Prior to installation please ensure all supply pipes have been thoroughly flushed through to remove any debris. The presence of any foreign matter will have a serious effect on ceramic disc valves.

Isolating valves must be fitted in a convenient position to allow future servicing of the fitting.

1. Turn off the water supply.
2. Remove old fittings.
3. Carefully assemble new fitting on to the bath, ensuring rubber washers or cushions are in place at the base of the fitting.
4. Tighten the backnuts, ensuring equal torque is applied to both nuts.
5. Earth any new pipework adequately. Seek the advice of a qualified electrician if in any doubt.
6. Connect water supply pipes to the inlet tails of the fitting. Note the hot water supply must connect to the left hand inlet when viewing from the front.
7. Turn the valves to the open position.
8. Open the isolating valves (not supplied).
9. Turn on water supply and allow to run for a few minutes to flush out any debris.
10. Carefully check for leaks.

