

Flomate

Mains Boost Extra 100 / 200 / 300

Flomate Mains Boost Extra 100/200/300 offers a simple, patented solution to the problem of low or intermittent mains water pressure without the need for a cold water break tank.

Designed to be connected directly to the incoming mains, Flomate Mains Boost Extra 100/200/300 is fully compliant with UK water regulations.



Features

Flomate Mains Boost Extra will deliver up to 18 l/min (100), 24 l/min (200) or 30 l/min (300) flow at 3.0 bar pressure to multiple outlets within the property, up to the preset cut-in limit of the 100/200/300 litre pressure vessel, at which time the system will deliver 12 litres/minute until demand ends and the pressure vessel recharges.

- Continuously rated
- Pre-wired with 1.5 metre power cable
- 3 year guarantee (subject to conditions)
- Automatic switching
- Easy installation
- Max. flow 18 l/min (100), 24 l/min (200), 30 l/min (300)

Application

- Suitable for higher occupancy properties with two bathrooms or more, Flomate Mains Boost Extra 100/200/300 requires no on-site commissioning and fits neatly within a standard 600 mm kitchen larder unit.

Description	Typical Run Time in Minutes				
	12 l/min	16 l/min	18 l/min	24 l/min	30 l/min
Mains Boost Extra 100	Continuous	16	8	-	-
Mains Boost Extra 200	Continuous	24	18	8	-
Mains Boost Extra 300	Continuous	40	24	16	8

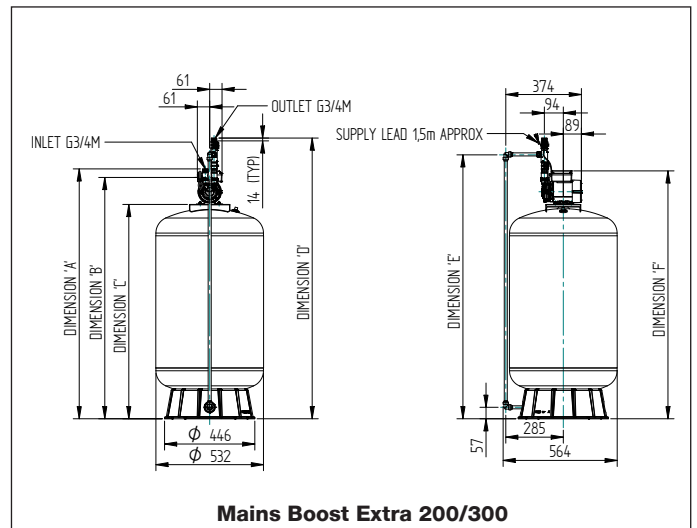
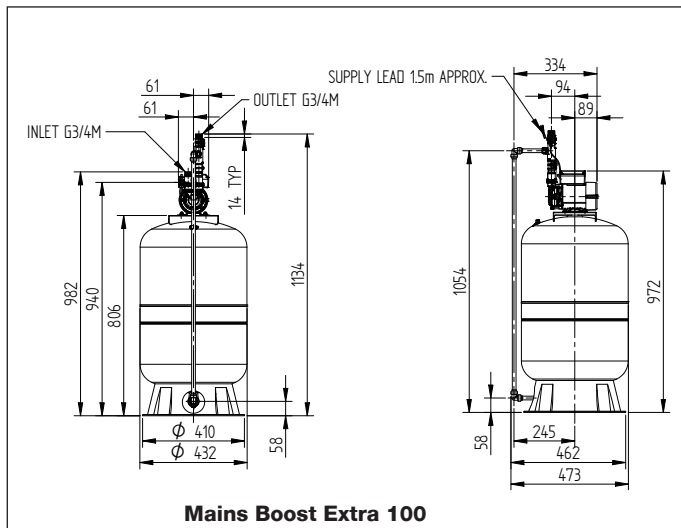
For further advice on selecting the correct pump call or e-mail info@stpumps.co.uk

pumpassist
HELPLINE +44 (0) 844 98 000 97

Flomate

Pump Model		Flomate Mains Boost Extra 100 46635	Flomate Mains Boost Extra 200 46636	Flomate Mains Boost Extra 300 46637
General	Guarantee	3 years		
Features	Pump type	Peripheral		
	Mechanical seal	Nitrile / Carbon / Silicon Carbide		
	Flexible hoses	2	2	2
	Diaphragm tank size	100 litre	200 litre	300 litre
	Diaphragm tank water capacity	50 litre	100 litre	150 litre
	Dry run protection	✓	✓	✓
Performance	Maximum head (closed valve)	3.2 bar		
	Maximum flow	18 l/min	24 l/min	30 l/min
	Maximum working pressure*	450 kPa (4.5 bar)		
	Maximum ambient air temperature	40 °C		
	Min / Max water temperature	Min 4 °C / Max 35 °C		
	Flow switch sensitivity (approx)	0.6 l/min		
Connections	Pump connections	G ¾ male		
Flexible hoses	Connections	G ¾ female x 15 mm push-in x 200 mm long		
Motor	Type	Induction, auto-reset thermal trip		
	Duty rating	Continuous (S1)		
Electrical	Power supply / phase / frequency	230 V a.c. / 1 / 50 Hz		
	Current (full load)	1.7 Amps		
	Power consumption	365 Watts		
	Fuse rating	5 Amps		
	Power cable (pre-wired)	1.5 metres		
Physical	Enclosure protection	IPX4		
	Length	473 mm	564 mm	
	Width	432 mm	532 mm	
	Height (excluding hoses)	1134 mm	1388 mm	1843 mm
	Weight (including fittings)	24.5 Kg	40 Kg	54 Kg

* The maximum pressure that can be applied to the pump under any installation conditions.



Pump Description	Dim. 'A'	Dim. 'B'	Dim. 'C'	Dim. 'D'	Dim. 'E'	Dim. 'F'
Mains Boost Extra 200	1236	1193	1060	1388	1305	1226
Mains Boost Extra 300	1692	1650	1517	1843	1762	1683

Stuart Turner Limited reserves the right to amend specifications without notice.