

Data sheet revision: B Flowrate Revised

DLT101

LEVER ACTION BASIN TAPS



Product description

Features 1/4 turn ceramic disc for rapid on/off flow.

Working parameters

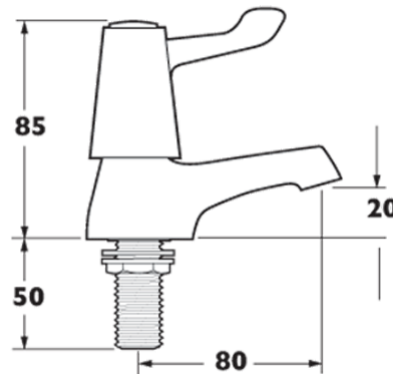
Maximum Static Pressure: 10 BAR

Minimum Working Pressure: 0.1 BAR

Recommended Working Pressure: 0.2 BAR

PRODUCT APPROVAL INFORMATION

KIWA



Pressure (BAR)	0.1	0.2	0.3	0.5	1.0	1.5	2.0	2.5	3.0	3.5	4.0	4.5	5.0
Single outlet (L/MIN)	5.72	6.66	8.18	10.71	15.24		21.93		26.79		31.02		

Pressure (BAR)	0.1	0.2	0.3	0.5	1.0	1.5	2.0	2.5	3.0	3.5	4.0	4.5	5.0
2nd outlet WITHOUT handset (L/MIN)													

Pressure (BAR)	0.1	0.2	0.3	0.5	1.0	1.5	2.0	2.5	3.0	3.5	4.0	4.5	5.0
2nd outlet WITH handset (L/MIN)													

Parts breakdown diagram

REVISION HISTORY				
REV	DESCRIPTION	DATE	AUTHOR	APPROVED
A	Drawing released	27/01/2005	Ian Parker	Chris Smith

Parts List				
ITEM	QTY	PART NUMBER	DESCRIPTION	
6	1	99-003	DCM101 Body	
8	1	10-007	18mm Antisplash	
2	1	RD10M4 x 0.7 x 10	M4x0.7 10mm Round head phillips screw	
7	1	AS568A-015	6.07mm O-Ring	
9	1	42-003	1/2" Rubber seal	
4	1	03-042	DLT Handle	
3	1	01-019/01-020	DLT/DLV Indice	
1	1	01-023	DLT Indice Cover	
5	1	05-024	1/2" Ceramic Disc Valve (22x20) (1 Hot & 1 Cold)	
14	1	1_2PBN	1/2" BSP Backnut	

MATERIAL:

SCALE:
1 : 1.5

PLATING AND FINISH:
CHROME - 0.2microns MIN DEPOSIT, NO SURFACE DEFECTS
NICKEL - 10.0microns MIN DEPOSIT, NO SURFACE DEFECTS
GOLD - 0.07microns MIN DEPOSIT, NO SURFACE DEFECTS
ALL SURFACES TO BE POLISHED TO MIRROR FINISH

TOLERANCE: (UNLESS OTHERWISE STATED) ALL RADIUS 0.5mm, ALL CHAMFER 0.5mm
LINEAR TOLERANCE 0 - 50mm ± 0.2mm, 50 - 250mm ± 0.5mm, 250mm - 500mm ± 1.0mm, 500mm+ ± 2mm
ANGULAR TOLERANCE ± 1.0°, RADIUS TOLERANCE ± 0.5mm, DIAMETER TOLERANCE ± 0.5mm
CONCENTRIC TOLERANCE ± 0.2mm, CASTING WALL THICKNESS TO BE NO LESS THAN 2mm

This drawing is the property of DEVA TAP CO LTD and must not be altered, copied or passed on without prior permission from the QUALITY / TECHNICAL department at DEVA TAP CO LTD

DRAWN BY: Ian Parker
DATE: 05/06/2008
ISSUE: A3

DESCRIPTION: Parts breakdown diagram
PART NUMBER: DLT101-000-B
ISSUE: A
SHEET: 1 / 1

DLT101 technical data sheet generated Thursday 7/4/2011 8:53 AM on the Deva technical database from user Sarina.kundi