

# techflo qt

## Universal Twin Pumps

Techflo qt centrifugal pumps use the most advanced multistage impeller and diffuser design which not only provides high pressure and flow but also provides a whisper quiet operation when boosting the performance of a single shower, complete bathroom or whole house. Suitable for positive and negative head applications.

Universal pumps do not require a gravity flow of water to start.

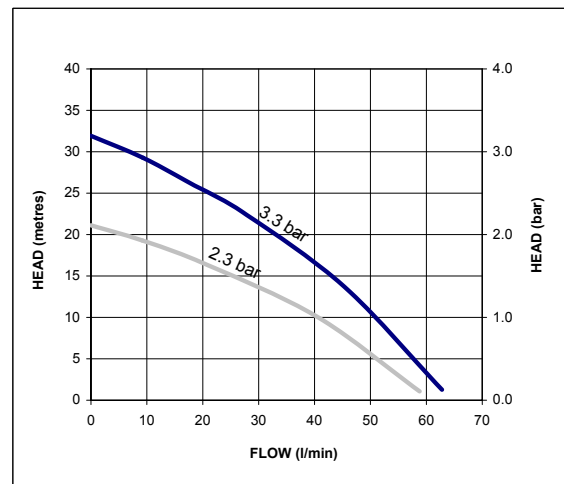


### Features

- Durable plastic construction
- 2.3 and 3.3 bar performance options
- Automatic switching
- Nitrile/carbon/silicon carbide seal
- 22 mm push-in flexible hoses with integral isolating valves on inlets
- 22 mm push-in connections
- Pre-wired with 1.5 metre power cable
- Anti-vibration feet
- 3-year guarantee (subject to conditions)

### Application

- Boost hot and cold water supplies equally
- Single function shower
- Multi-function shower
- Bath/basin mixer tap

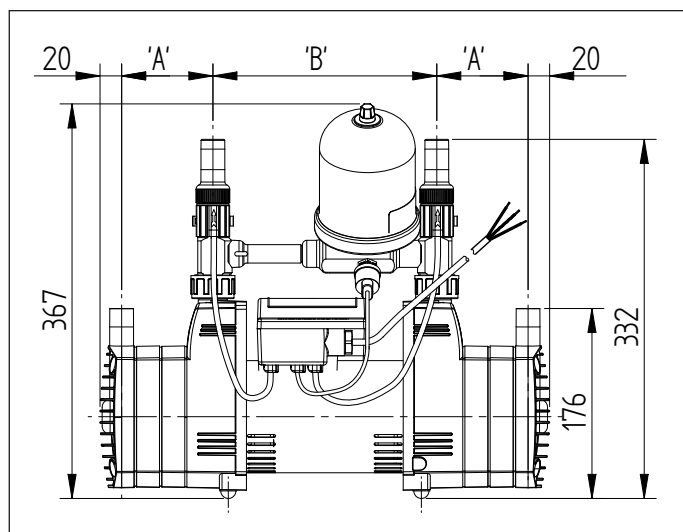


For further advice on selecting the correct pump call  
or e-mail [info@stpumps.co.uk](mailto:info@stpumps.co.uk)

**pumpassist**  
HELPLINE +44 (0) 844 98 000 97

# techflo qt

Pump Model		U2.3 bar Twin 49080	U3.3 bar Twin 49081
General	Guarantee	3 years	
	WRAS approval	Compliant	
Features	Pump type	Centrifugal	
	Mechanical seal	Nitrile / Carbon / Silicon Carbide	
	Anti-vibration feet	✓	✓
	Inlet strainer(s)	✓	✓
	Flexible hoses	4	4
	Run on Timer	3 sec	3 sec
	Dry run protection	✓	✓
Performance	Maximum head (closed valve)	2.3 bar	3.3 bar
	Performance @ 9 l/min	1.9 bar	2.8 bar
	Performance @ 18 l/min	1.7 bar	2.6 bar
	Maximum flow	58 l/min	63 l/min
	Maximum static inlet pressure	6 meters	
	Maximum static outlet pressure	6 meters	
	Maximum working pressure*	460 kPa (4.6 bar)	
	Maximum ambient air temperature	40 °C	
	Min / Max water temperature**	Min 4 °C / Max 65 °C	
	Flow switch sensitivity (approx)	1.0 l/min	
	Pressure vessel air pre-charge	0.9 bar (13 psi)	
	Connections	Pump connections 22 mm male	
Flexible hoses	Connections 22 mm female x 22 mm push-in x 200 mm long, isolating valves on inlet hoses		
Motor	Type	Induction, auto-reset thermal trip	
	Duty rating	Intermittent, 30 mins on, 30 mins off @ 20 l/min***	
Electrical	Power supply / phase / frequency	230 V a.c. / 1 / 50 Hz	
	Current (full load)	2.4 Amps	3.6 Amps
	Power consumption	540 Watts	820 Watts
	Fuse rating	5 Amps	
	Power cable (pre-wired)	1.5 metres	
Physical	Enclosure protection	IPX2	
	Length	345 mm	415 mm
	Width	167 mm	
	Height (excluding hoses)	367 mm	
	Weight (including fittings)	7.8 Kg	10.2 Kg



\* The maximum pressure that can be applied to the pump under any installation conditions.

\*\* A stored water temperature of 60 °C is considered sufficient to meet all normal requirements and will minimise deposition of scale in hard water areas.

\*\*\* Both heads pumping up to 10 l/min.

Pump Description	Dim. 'A'	Dim. 'B'
U2.3 bar Twin	61 mm	183 mm
U3.3 bar Twin	84 mm	207 mm

Stuart Turner Limited reserves the right to amend specifications without notice.