

anti vandal finger button flush mechanism

Two types are offered, push buttons suitable for general use and finger push buttons for use in police stations and prisons.

Suitable for duct cisterns illustrated in the WCs section.

- Durable design
- For use with ducted cisterns
- Finger push button
- Suitable for police station and prison use



Illustrated

S4454AA finger button mechanism for high level concealed cistern, for 150mm maximum thickness wall
S4455AA for 400mm maximum thickness wall
S4456AA mechanism for low level concealed cistern, for 150mm maximum thickness wall
S4457AA for 400mm maximum thickness wall

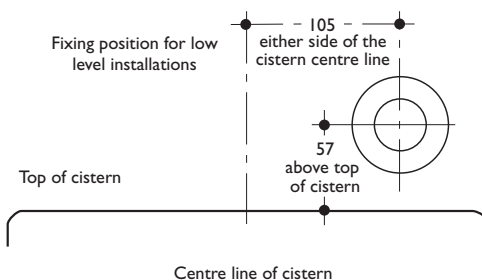
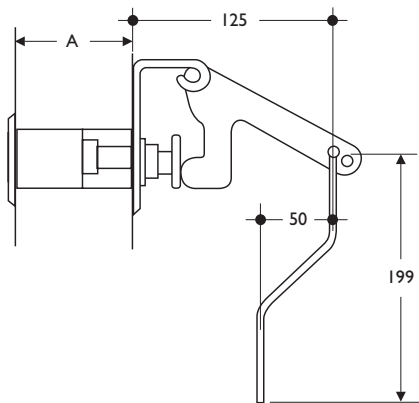
S4458AA police station cell button mechanism complete with installation box for high level cistern, for 150mm maximum thickness wall
S4459AA for 400mm maximum thickness wall

Special notes

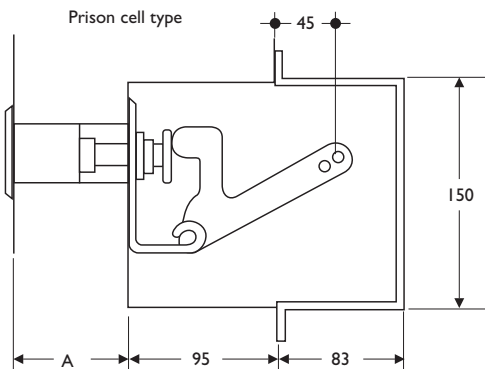
Dimension A - minimum wall thickness 60mm. Mechanism can be reduced on site. Wall thickness must be specified when ordering.

anti vandal

For low level cistern



Prison cell type



For high level cistern

