

healthcare
HTM64 (ST C) doon drainer double sink

ST C double bowl, single drainer stainless steel sink in 2 depths, with earthing terminal.

- Sink top assemblies
- Screw to wall, front legs or mounting on base unit
- Stainless steel
- 60cm & 65cm deep
- With or without tapholes

healthcare

HTM64



Illustrated

S5855 (ST C) Doon sink and brackets, double bowl, left hand drainer 180cm x 60cm, no tapholes, no overflow
S8270 (TBH1) Markwik 1/2in lever action bib taps x 2
S8346 75mm extensions x 2
S8336 1/2in wall mounts for concealed plumbing x 2
S8726 (WT2) 1 1/2in strainer waste with unslotted tail
S8925 (TRR2/P) 1 1/2in plastic resealing bottle trap 75mm seal and multi-purpose outlet x 2

Standards

Stainless steel sheet conforms to BS EN 10088.
 Conforms to Metal sinks BS EN 13310

Options HTM64 60cm deep

S5853 Doon sink, double bowl, right hand drainer 180cm x 60cm, no tapholes no overflow
S5854 Doon double bowl left hand drainer sink 180cm x 60cm, 2 tapholes, no overflow
S5852 Doon sink, double bowl, right hand drainer, 180cm x 60cm 2 tapholes no overflow

Material

Stainless steel type 1.4301 (304)
 Bowl 0.9mm (before forming)
 Top 1.2mm

Weight

Average weight 19.0kg

Finish

Exposed surfaces polished with 240 grain

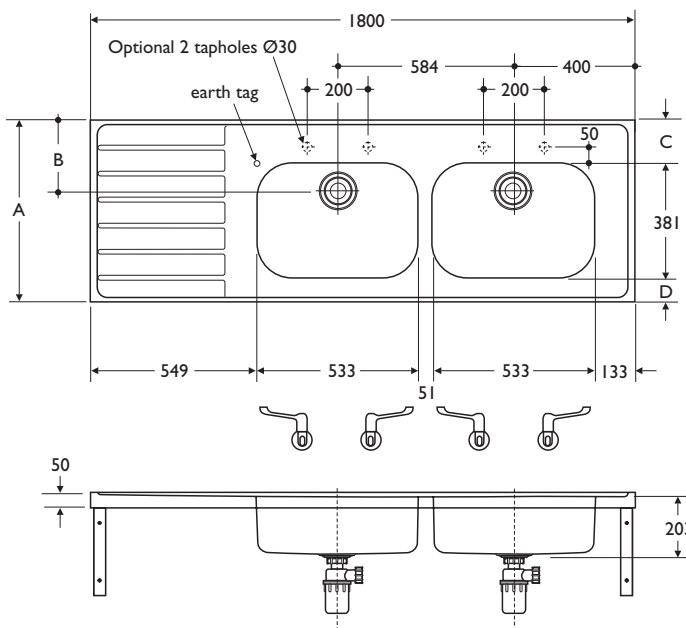
65cm deep

S5859 Doon sink, double bowl, left hand drainer, 180cm x 65cm, no tapholes, no overflow
S5857 Doon sink, double bowl, right hand drainer, 180cm x 65cm, no tapholes, no overflow
S5858 Doon sink, double bowl, left hand drainer, 180cm x 65cm, 2 tapholes, no overflow
S5856 Doon sink, double bowl, right hand drainer, 180cm x 65cm, 2 tapholes, no overflow

S9272 stainless steel leg supports (2 required)

Options HTM63

65cm deep
S5914 Doon sink, double bowl, double drainer, 240cm x 65cm



A	B	C	D
600	239	144	75
650	264	169	100

