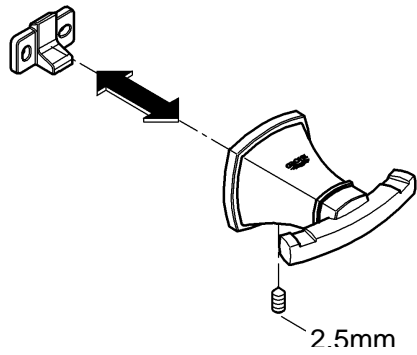
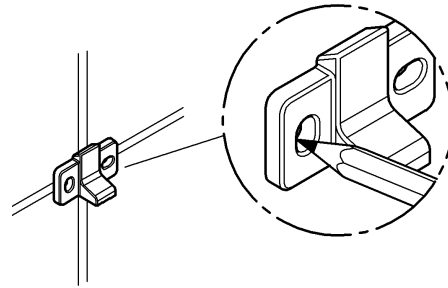




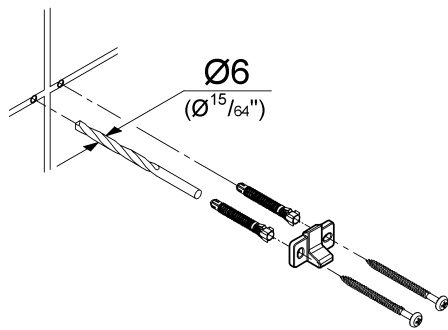
ENJOY WATER®



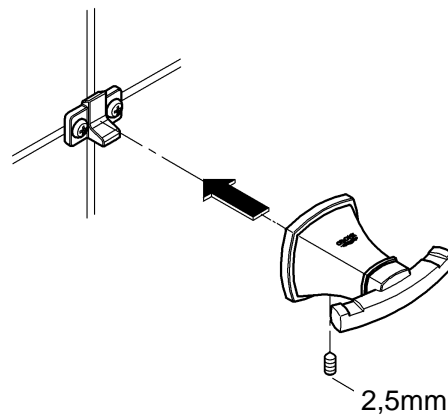
1.



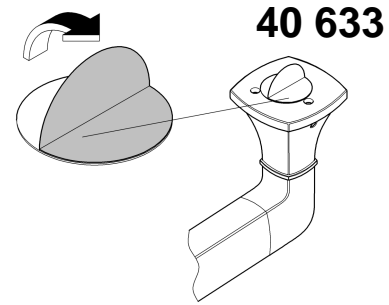
2.



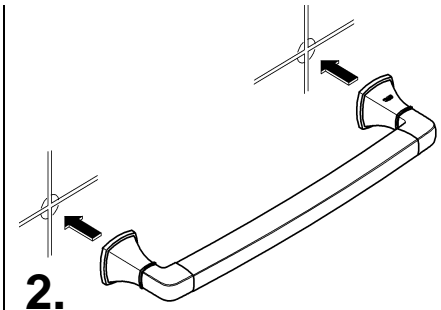
3.



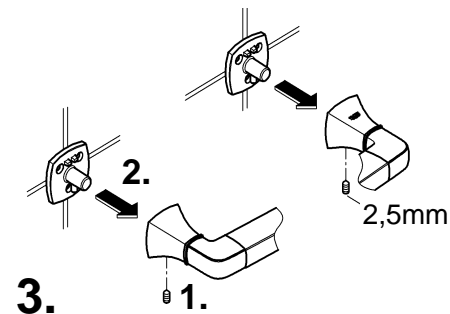
4.



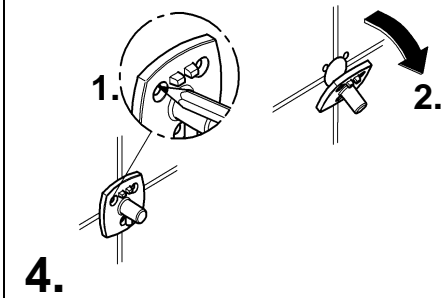
1.



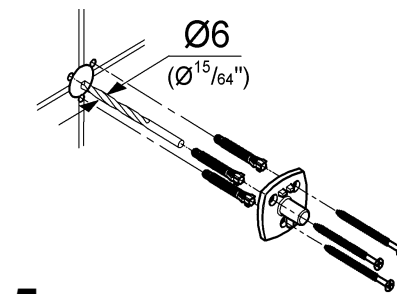
2.



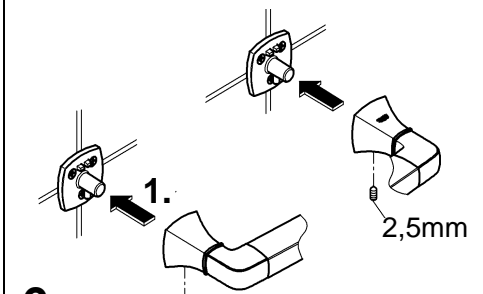
3.



4.



5.



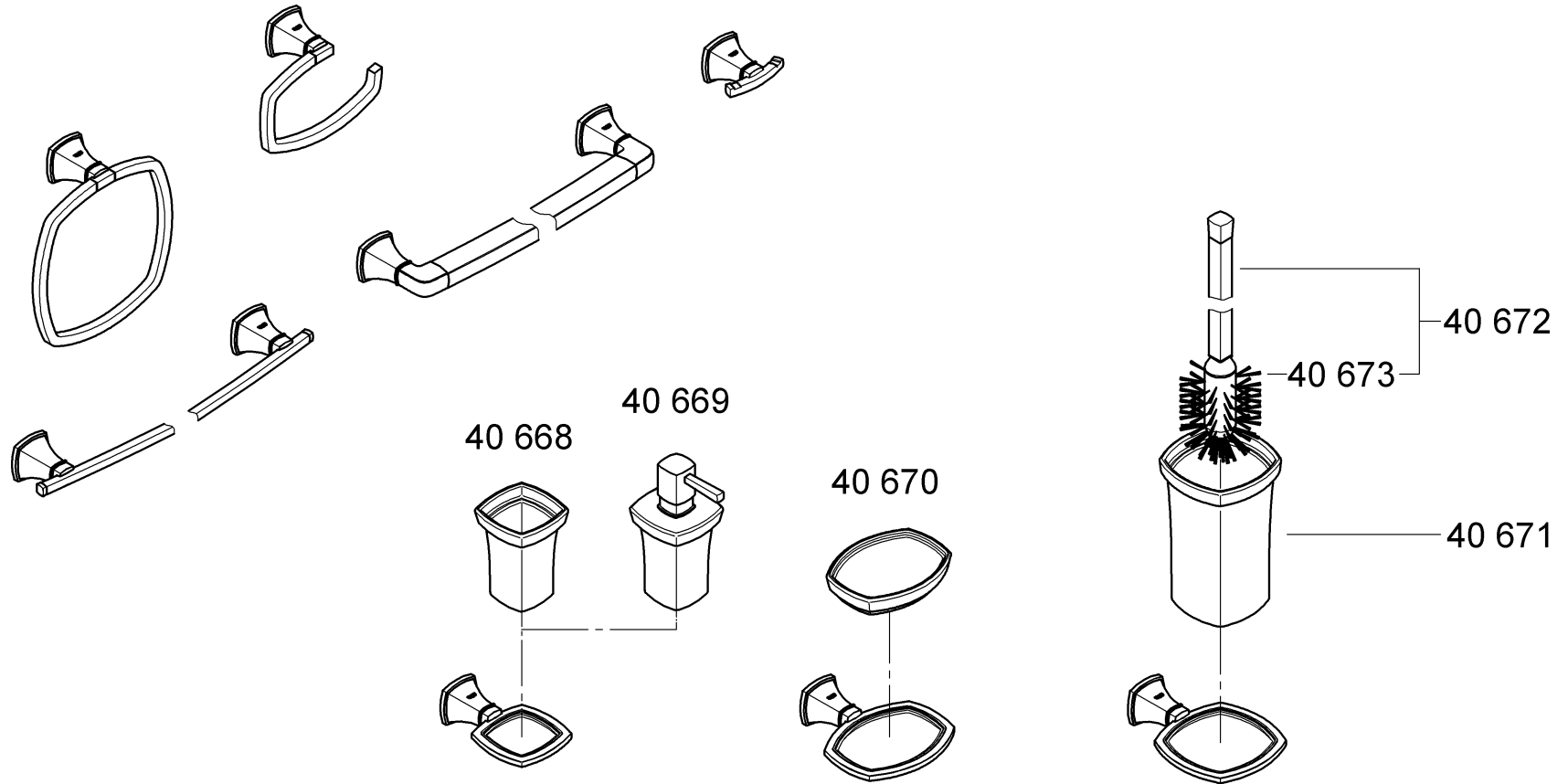
6.

99.0102.031/ÄM 227068/06.13

Design + Engineering GROHE Germany



ENJOY WATER®



Design + Engineering GROHE Germany