

# bathroom furniture concept 300mm deep units

A comprehensive collection of freestanding and fitted furniture units designed for the Concept range, offering an endless choice of practical storage solutions.

Includes space saving and short projection units for cloakrooms and en-suites. Soft close hinges and drawers provide smooth functionality.

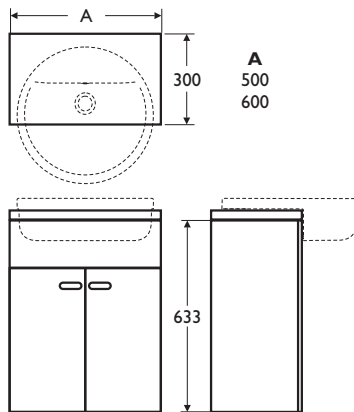
Co-ordinated accessories, mirror units, splashbacks, bath-panels, plinths and fillers complete the package to style even the smallest of bathrooms.

Domestic and hotel use

Illustrated in SO American Oak and SX Dark Walnut

Available in 5 finishes

Design co-ordinated to the Concept range



**Illustrated**

**E6452** Concept 500 x 300mm wall hung basin unit with 2 doors

**E6580** Concept 300 x 500mm worktop

**Weight**

500mm 12.0kg  
600mm 14.0kg

**Finishes**

Available in Dark Walnut (SX), America Oak (SO), White Gloss (WG), Walnut/White (UJ), Oak/White (UH).

Worktops are only

available in 3 colour Dark Walnut (SX), America Oak (SO), White Gloss (WG)

**Options**

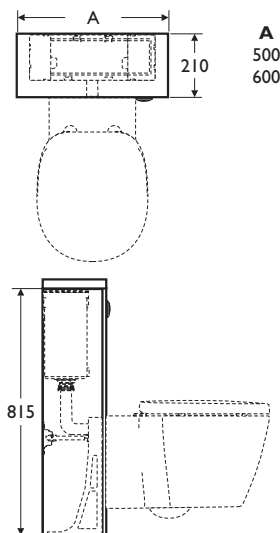
**E6454** Concept 600 x 300mm wall hung storage unit with 2 doors

**E6581** Concept 300 x 600mm worktop

**Special notes**

**E6452** for use with 45cm Sphere semi-countertop basin

**E6454** for use with 45cm or 55cm Sphere semi-countertop basin.



**Illustrated**

**E6453** Concept 500 x 300mm wc unit

**E6580** Concept 300 x 500mm worktop

**Weight**

500mm 15.0kg  
600mm 17.0kg

**Finishes**

Available in Dark Walnut (SX), America Oak (SO), White Gloss (WG), Walnut/White (UJ), Oak/White (UH).

Worktops are only available in 3 colour Dark Walnut (SX), America Oak (SO), White Gloss (WG)

**Options**

**E6455** Concept 600 x 300mm wc unit

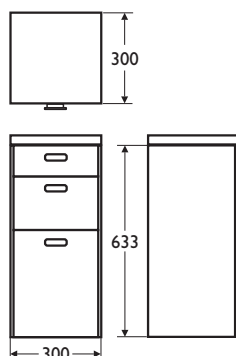
**E6581** Concept 300 x 600mm worktop

**Special notes**

Includes dual flush cistern, 6/4 litre flush and push button.

For use with wall mounted and back-to-wall wcs.

If using a wall mounted pan then additional brackets must be ordered **E006067**



**Illustrated**

**E6457** Concept 300 x 300mm wall hung storage unit with 3 drawers

**E6580** Concept 300 x 500mm worktop

**Weight**

One door 8.0kg  
Three drawers 14.0

**Finishes**

Available in Dark Walnut (SX), America Oak (SO), White Gloss (WG), Walnut/White (UJ),

Oak/White (UH).

Worktops are only available in 3 colour Dark Walnut (SX), America Oak (SO), White Gloss (WG)

**Options**

**E6456** Concept 300 x 300mm wall hung storage unit with 1 door, 1 shelf

**Special notes**

Worktop cut to size



furniture