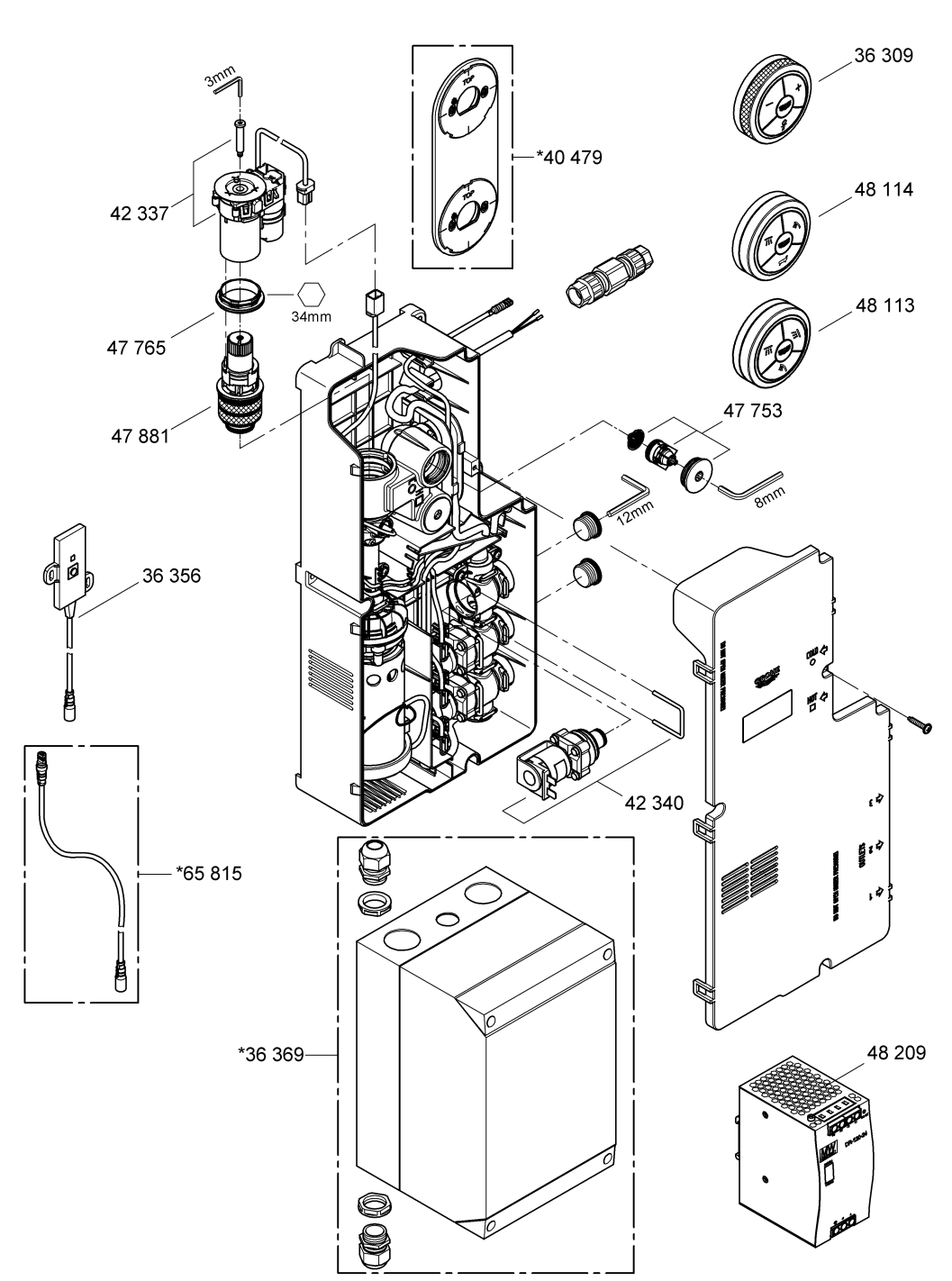
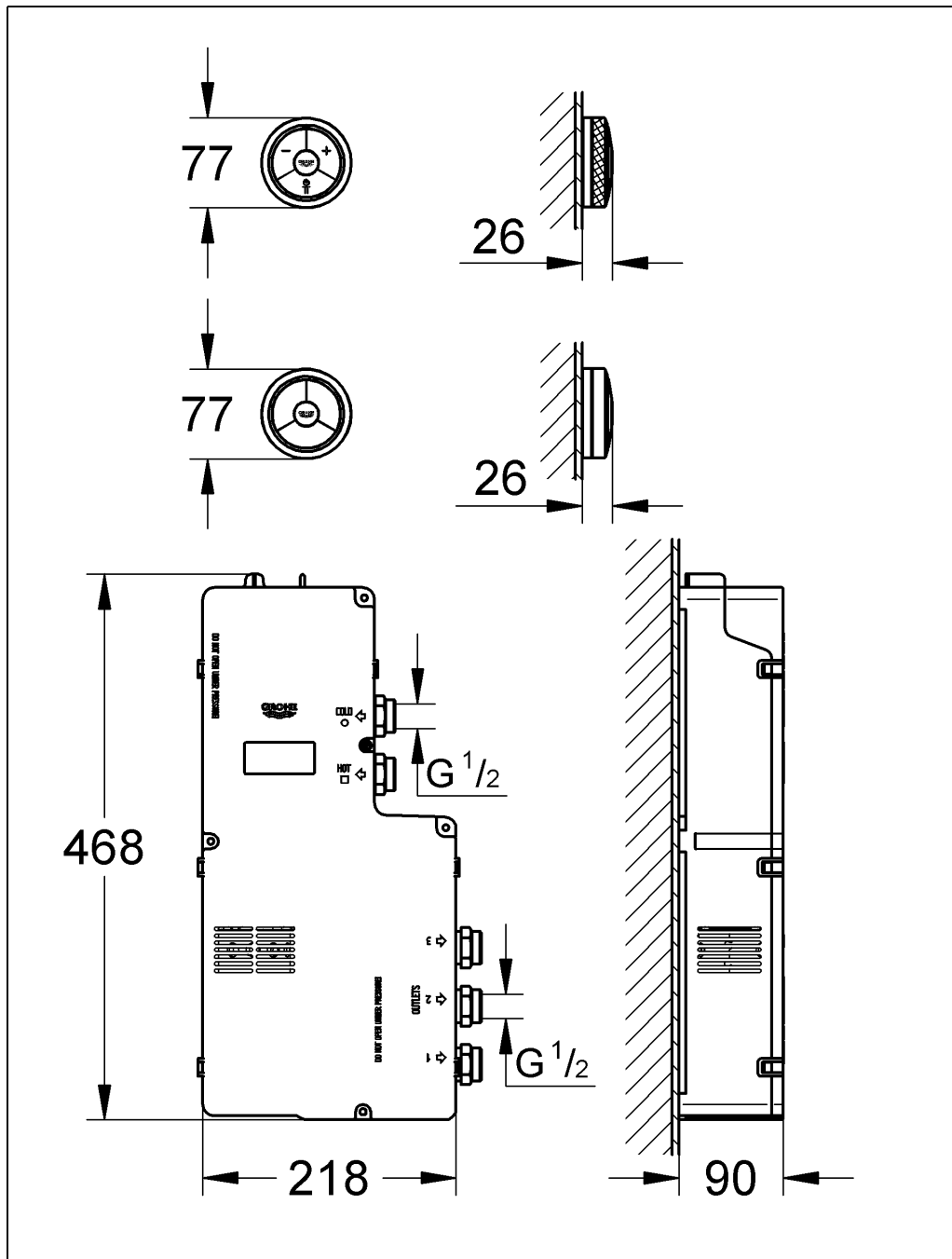


## GROHE F-digital

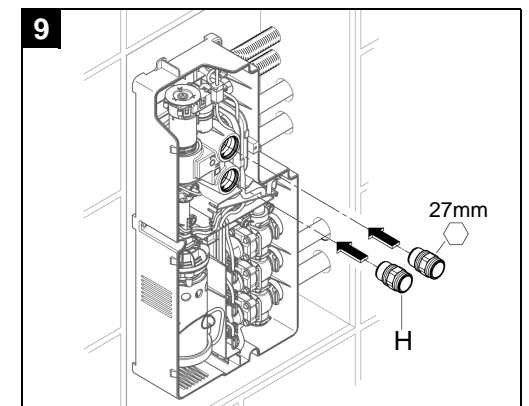
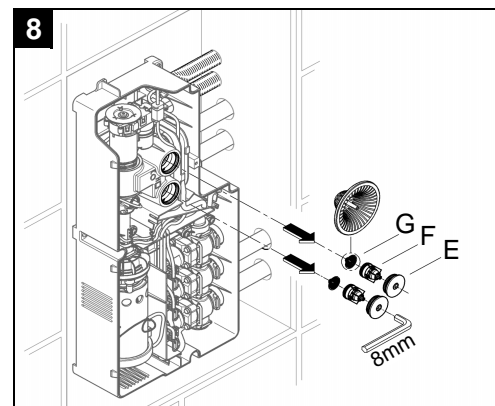
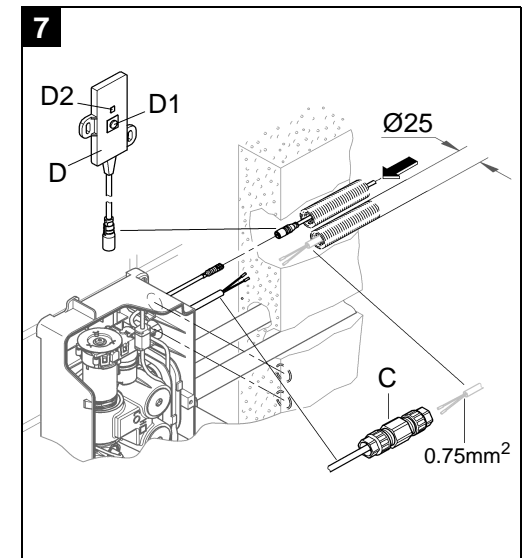
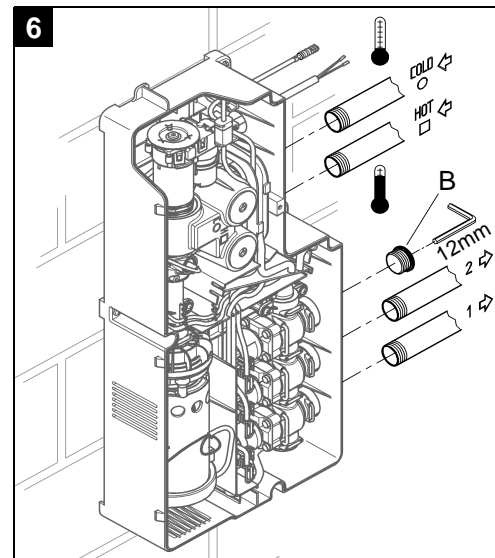
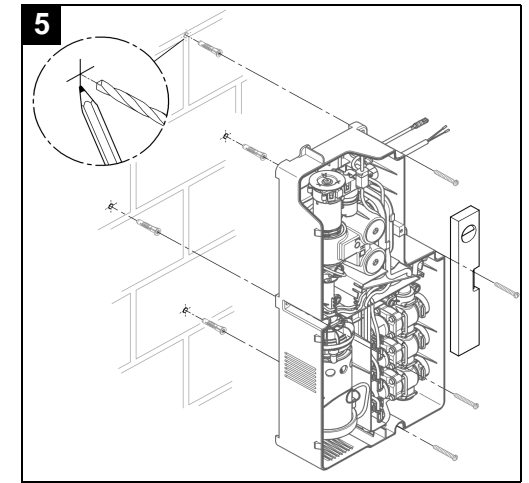
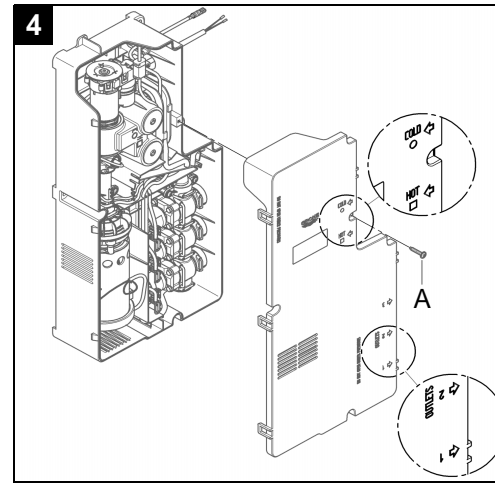
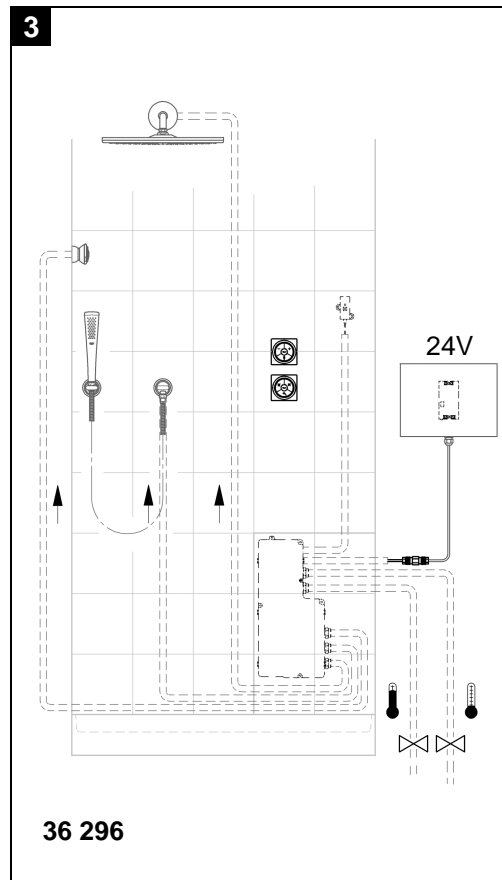
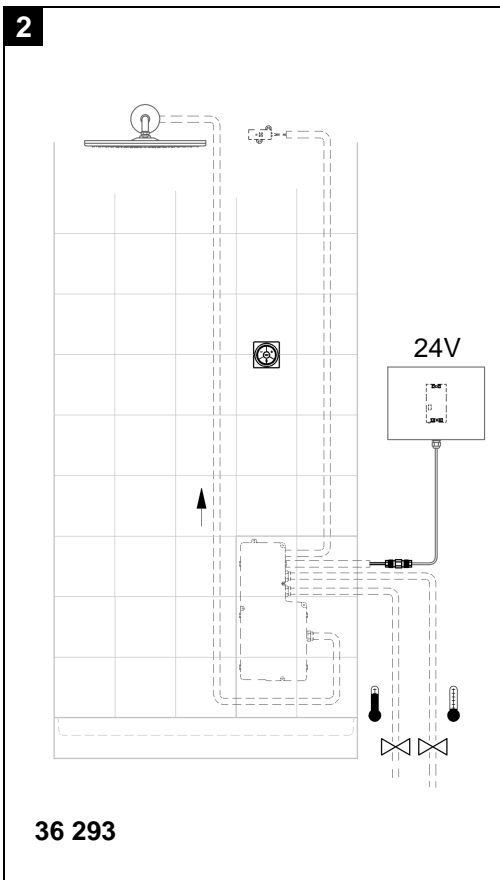
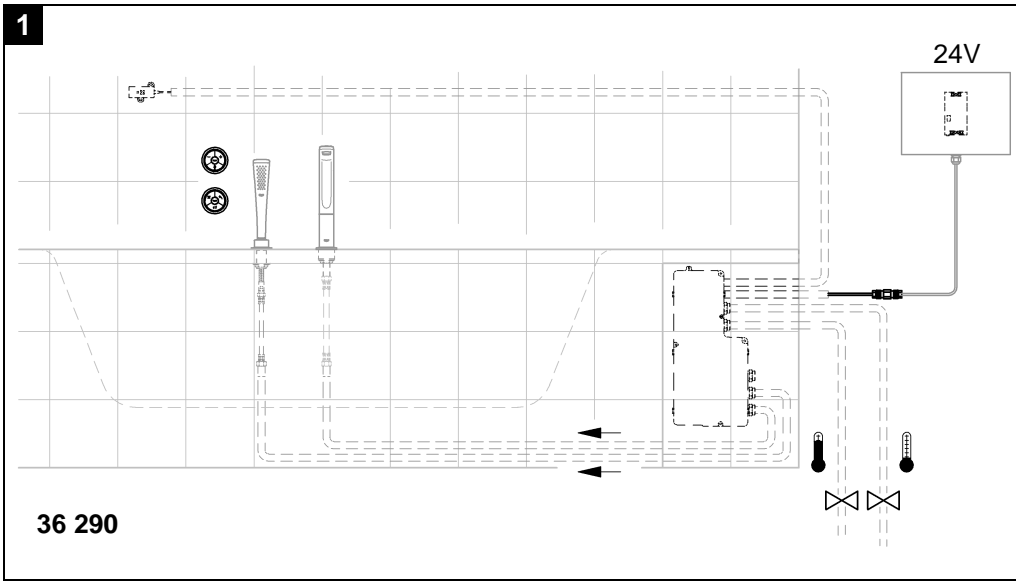
Design & Quality Engineering GROHE Germany

99.766.031/ÄM 220954/09.12





Please pass these instructions on to the end user of the fitting!





## Safety notes



Prevent danger resulting from damaged power supply cables. If damaged, the power supply cable must be replaced by the manufacturer or his customer service department or an equally qualified person.

- Installation is only possible in frost-free rooms.
- The optional power supply unit is only suitable for indoor use.
- The plug-in connectors must **not** be directly or indirectly sprayed with water when cleaning.
- The voltage supply must be separately switchable.
- The maximum permissible distance between the digital controller/diverter of the functional unit and the transceiver is 5m.
- Use only genuine replacement parts and accessories. The use of other parts will result in voiding of the warranty and the CE identification.

## Functioning Principle

**GROHE F-digital** is a wireless controlled thermostatic mixer with wax cartridge. Water flow and temperature can be changed and set using the Digital Controller and Diverter.

## Application

Safe limitation of the maximum outlet temperature is achieved via pre-set temperature limits which can be changed using the Digital Controller. There is a protective user operated override (set at default 38 °C) and a maximum system temperature (set at default 46 °C).

The product is preassembled.

## Plumbing Systems

- Gravity-fed plumbing systems with an open vented hot water cylinder
- Cold water storage cistern
- Concealed functional unit
- Inlet Pressure
  - maximum: 0.1 MPa
  - minimum (recommended): 0.01 MPa
  - minimum (priming of pump needed, see later): 0.01 MPa
- Maximum total head (for pump to work against): 0m  
This means that the shower head should always be below the water level available at the supply tanks.
- Maximum ratio of cold to hot (or hot to cold) pressure: 1 : 5
- The pumped system can be used in cases of **mixed supply** (high pressure cold and low pressure hot, or low pressure cold and high pressure hot). In these cases, a PRV (not included) must be used to limit pressure to 0.1 MPa.
- Mixed water flow rate open outlet (no shower connected) at 0.01 MPa: approx. 12 l/min
- Operational rating: max. 70 minutes on, 30 minutes off

## New Water Regulations

Please ensure plumbing installation complies with the requirements of UK Water Regulations/Bye-laws (Scotland), Building Regulations or any particular regulations, requirements and practices, specified by the local water company or water undertakers.

## Technical data

If static pressure exceeds 0.1 MPa a pressure-reducing valve must be fitted.

Avoid major pressure differences between hot and cold water supply.

- Operating pressure: max. 0.1 MPa
- Test pressure: 1.6 MPa
- Hot water supply temperature: min. 50 °C - max. 80 °C
- Recommended (energy saving): 60 °C
- Hot water temperature at supply connection min. 2 °C higher than mixed water temperature.
- Ambient temperature: max. 40 °C
- Voltage supply switchable:
  - 100-120 V or 200-240 V AC, 50/60 Hz
- Power consumption: 120 VA
- Radio frequency: 2.4332 GHz
- Transmitter power: < 1 mW
- Digital controller/diverter battery:
  - 3x 3 V Lithium batteries (type CR 2450)
- Automatic safety shut-off (factory setting): 20 min
- Safety stop (factory setting): 38 °C
- Type of protection:
  - Functional unit: IP 20
  - Digital controller/diverter: IP X5
  - Transceiver: IP X5
  - Switching power supply housing: IP 65
- Water connection: COLD/HOT

## Electrical test data

- Software class: B
- Contamination class: 2
- Rated surge voltage: 2,500 V
- Temperature for ball impact test: 100 °C

The test for electromagnetic compatibility (interference emission test) was performed at the rated voltage and rated current.

## Approval and conformity



This product conforms to the requirements of the relevant EU directives.

The conformity declarations can be obtained from the following address:

**GROHE Deutschland Vertriebs GmbH**  
Zur Porta 9  
D-32457 Porta Westfalica

**Electrical installation**, see fold-out page III, Figs. [10a] to [13b].



**Electrical installation work must only be performed by a qualified electrician. This work must be carried out in accordance with the regulations to IEC 60364-7-701 (corresponding to VDE 0100 Part 701) as well as all national and local regulations.**



**The electrical installation must comply to "BS 7671 - Requirements for Electrical Installations", commonly referred to as the IEE Wiring Regulations - Part 7, or any particular regulations and practices, specified by the local electricity supply company.**

- The electrical supply must be from a switched 3A fused spur which incorporates a disconnection device in the electrical circuit having a contact separation in all poles and the means of disconnection must be incorporated in the fixed wiring in accordance with the national wiring rules.
- It is important that the unit is **not** wired to a user operated isolation switch (typically pull cord) or to a supply that is frequently turned on/off (e.g. wall switch or hotel room card system).

- Only water-resistant round cables with max. outside diameter 6.0 to 8.5mm may be used.
- The voltage supply must be separately switchable.

### Rough installation

#### During installation, please note:

- **The functional unit must be accessible for maintenance work.**
- The functional unit **must not** be installed with the lid facing downwards. Outlet down is not recommended if inlet pressures are lower than 0.01 MPa / 1m head).
- The plug-in connectors and the transceiver must be accessible.
- An adequate ventilation for pump ventilation of the functional unit must be ensured.
- A vacant tube must be used to connect the functional unit to the power supply unit and to the transceiver. The vacant tubes are **not in the scope of delivery**.
- All cables must be intended by using a cable retractor for vacant tubes (EN25).
- In installation cases with more than four bends the cable must be inserted before installation.

Prepare the wall for the installation, refer to the dimensional drawing on fold-out page I and Figs. [1] to [3] on fold-out page II.

**Install functional unit**, see fold-out page II, Figs. [1] to [7]. Observe printing on the lid, see Fig. [4].

1. Prepare holes for the functional unit as well as slots for the pipes and vacant tubes, see fold-out page II, Figs. [1] to [3].
2. Unscrew screw (A) and remove lid, see Fig. [4].
3. Align and fasten functional unit in place, see Fig. [5].
4. The cold water supply must be connected to the inlet marked COLD, the hot water to the inlet marked HOT, see Fig. [6].

#### Isolating valves must be installed upstream of the functional unit to facilitate servicing.

#### Do not solder the connections.

5. Route the mixed water outlet to the points of discharge; it is essential that outlet 1 be connected.
6. Seal plug (B) in the unused outlet, see Fig. [6].  
Route connection cable in vacant tube, see Fig. [7].  
Max. two extension cables can be combined (max. 6m), see Replacement parts, fold-out page I.
7. Attach the plug-in connector (C) to the functional unit and lay cable (not included in the scope of delivery) to the concealed switching power supply.

#### Do not connect voltage supply yet.

8. Install transceiver (D) in the inspection chamber or on the wall and attach the plug-in connector.

**Flush the supply pipes**, see fold-out page II, Figs. [8] and [9].

1. Remove screw plug (E), see Fig. [8].
2. Remove the non-return valve (F) and the filter (G).
3. Install the flushing plugs (H) in the non-return valve seat recesses, see Fig. [9].
4. Open the cold and hot water supply.

**Flush pipes thoroughly before and after installation** (observe EN 806).

5. Close the cold and hot water supply and remove the flushing plugs (H), see Fig. [9].
6. Install the filter (G) and the non-return valve (F), see Fig. [8].
7. Install the screw plug (E).

**Open the hot and cold water supply and check that the connections are watertight.**

### Final installation

#### Insert batteries into digital controller/diverter, see

Technical product information for the digital controller/diverter. Insert batteries with correct polarity.

The digital controller/diverter is registered with the functional unit in the factory.

**Secure digital controller/diverter**, see Technical product information for the digital controller/diverter.

**Establish voltage supply**, see fold-out page III, Figs. [10a] to [13b].

**The power supply must be chieved in a distribution cabinet** according to EN 60364-7, see Fig. [10a].

**For installation without a distribution cabinet the GROHE special accessory switching power supply housing (order-No.: 36 369) must be used**, see Fig. [10b].

For establishing the power supply a power plug (I, not included in the the scope of delivery) is necessary.

The control cabinet power supply unit must be installed on a DIN rail (J), see Fig. [10a] or [10b].

The control cabinet power supply ist switchable from 110 to 220 V by switch (K), see Fig. [13a] or [13b].

#### Be sure that personnel protection insulation is obtained!

**Connect power supply**, see fold-out page II, Figs. [4] and [7].

The indicator lamp (D2) of the transceiver (D) then flashes blue, green and red, see Fig. [7].

The buttons of the digital controller/diverter are now inoperative for 3 minutes.

Fit lid and fasten with screw (A), see Fig. [4].

#### Priming of pump

**The pump cannot be allowed to run dry** and the functional unit will stop this by switching off the functional unit and flashing green. Therefore, in cases of water supply below 0.01 MPa / 1m head), assistance to the priming of the pump may be necessary.

The simplest way to achieve this is by applying suction to the outlet of the functional unit by:

- Using a hand-operated suction pump on the shower hose, or
- Sucking on the shower hose.

Where a head shower is fitted, this should first be removed and a suitable length of rubber hose temporarily fitted.

If the above does not work, the following should be checked before re-attempting the application of suction:

- Make sure that the inlet check valves are not sticking (remove temporarily).



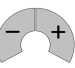
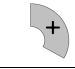



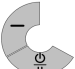
Once the system is running, temperature setting should be varied between hot and cold several times so as to help clear any air pockets from both inlet sides.

The functional unit must be adapted to the local conditions, see section **Selection menu of the digital controller, F2 - Calibration**.

#### Settings in the event of a power failure/when changing batteries

No settings saved by the user will be lost when changing the batteries or in the event of an interruption of the power supply to the functional unit.

**Operation of the digital controller**, see fold-out page IV, Fig. [14].

Button	Description	Visualisation
	<b>Start/Stop button</b> Starts and stops the water flow at the saved water temperature and flow rate.	The temperature is represented by the illuminated ring.
	<b>Pause button</b> Interrupts the flow of water. The flow is resumed with the last selected settings by pressing the button again within 30 seconds. Temperatures above 40 °C are not saved.	
	<b>Temperature buttons</b> Starts the water flow and decreases or increases the water temperature. Display when maximum temperature is reached Display when minimum temperature is reached	The temperature is represented by the illuminated ring. Illuminated ring flashes red 3x Illuminated ring flashes blue 3x
	<b>38 °C</b> <b>Overriding the safety stop</b> When the safety stop is reached (factory setting 38 °C), press button for 1 second, release and then press again for 1 second.	Illuminated ring flashes 3x when the safety stop is reached in the colour of the set temperature
	<b>Set flow rate</b> Turning clockwise starts the functional unit and increases the flow rate. Turning anti-clockwise reduces the flow rate until the functional unit switches to pause mode.	Change in flow rate
	<b>Memory function</b> The current temperature and flow rate can be saved when the water is running by pressing and holding the button. Temperatures above 40 °C are not saved.	Illuminated ring flashes green 3x and water flow is interrupted briefly
	<b>Warm-up mode</b> If no water is flowing and the faucet is not in Pause mode, pressing and holding the button activates warm-up mode. When the preset temperature is reached, the water flow is stopped (complete after 2 minutes). The water flow is started by pressing the button again.	Illuminated ring flashes blue 3x at the start and end of the warm-up phase
	<b>Cleaning service mode</b> With no water flow, simultaneously press and hold both buttons to activate the cleaning service mode. Once activated the spout and shower controls are locked and without function for 2 minutes. To end the cleaning service mode before the 2 minutes has ended, simultaneously press and hold both buttons.	Illuminated ring flashes violet 3x Illuminated ring flashes violet 1x when actuated Illuminated ring flashes violet 3x

**Activating continuous operation**

With the transceiver, the functional unit can be set to continuous operation for the purposes of flushing or to perform a thermal disinfection:

1. The functional unit is off, there is no water flowing and the digital controller is not in pause mode (wait 30 seconds if required).
2. Disconnect and reconnect the transceiver's plug-in connector (D), see fold-out page II, Fig. [7].
3. Wait until the indicator lamp (D2) flashes blue, green and red, then press the button (D1) within 1 minute. The indicator lamp flashes blue three times.
4. The functional unit is now open for 15 minutes. After the 15 minutes have elapsed, the indicator lamp (D2) flashes blue three times.

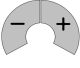

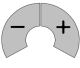

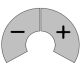



**Caution: Risk of scalding.**


Be sure no one stays in the wet area.

Cancel by pressing the button (D1) or any button on the digital controller/diverter, the indicator lamp (D2) flashes blue three times.

Digital controller selection menu, see fold-out page IV, Fig. [14].


Button	Description	Visualisation
 	<p><b>F1 - Automatic filling/safety shut-off</b>  <b>Start the selection menu</b> (only if there is no water flowing)</p> <ul style="list-style-type: none"> <li>- Select by pressing and holding the - / + buttons simultaneously:</li> <li>• <b>Start F1</b> =&gt; Confirm selection by simultaneously pressing the - / + buttons.</li> </ul> <p>Changing the point of discharge by turning the ring:  =&gt; Confirm selection by simultaneously pressing the - / + buttons.</p> <ul style="list-style-type: none"> <li>- Stop the water flow/timer by turning the ring anti-clockwise.</li> <li>- Continue water flow/timer by turning the ring clockwise.</li> <li>- Pressing the - / + buttons simultaneously saves the quantity/ duration and exits the menu.</li> </ul> <p>Abort the menu by pressing and holding the <b>Start/Stop</b> button or after 30 minutes (water stops) plus 3 minutes without triggering.</p>	<p>Illuminated ring flashes red 1x</p> <p>Illuminated ring flashes green 1x and water flow started  Water flow changes  Illuminated ring flashes green 1x and water timer started  Water flow stops/timer stops  Water flow starts/timer continues  Illuminated ring flashes green 3x</p> <p>Illuminated ring flashes violet 1x</p>
 	<p><b>F2 - Calibration</b>  <b>Start the selection menu</b> (only if there is no water flowing)</p> <ul style="list-style-type: none"> <li>- Select by pressing and holding the - / + buttons simultaneously:</li> <li>- Select <b>F2</b> by turning the ring:</li> <li>• <b>Start F2</b> =&gt; Confirm selection by simultaneously pressing the - / + buttons. (Select point of discharge with largest possible flow rate).</li> </ul> <p>Changing the point of discharge by turning the ring:  =&gt; Confirm selection by simultaneously pressing the - / + buttons.</p> <ul style="list-style-type: none"> <li>- Turn ring and set <b>minimum flow rate</b>. =&gt; Confirm selection by simultaneously pressing the - / + buttons.</li> <li>- Turn ring and set <b>maximum flow rate</b>. =&gt; Confirm selection by simultaneously pressing the - / + buttons.</li> <li>- Turn ring, measure water outlet temperature and <b>set at 38 °C</b>. =&gt; Confirm 38 °C by by simultaneously pressing the - / + buttons.</li> </ul> <p>Settings are saved and exits the menu.</p> <p>Abort the menu by pressing and holding the <b>Start/Stop</b> button or after 3 minutes without triggering.</p>	<p>Illuminated ring flashes red 1x  Illuminated ring flashes red 2x</p> <p>Illuminated ring flashes green 1x and water flow is started  Point of discharge changes</p> <p>Illuminated ring flashes green 1x</p> <p>Illuminated ring flashes green 1x</p> <p>Illuminated ring flashes green 3x</p> <p>Illuminated ring flashes violet 1x</p>
 	<p><b>F3 - Register additional digital controllers/diverters</b>  <b>Start the selection menu</b> (only if there is no water flowing)</p> <ul style="list-style-type: none"> <li>- Select by pressing and holding the - / + buttons simultaneously:</li> <li>- Select <b>F3</b> by turning the ring:</li> <li>• <b>Start F3 - Register</b> =&gt; Confirm selection by simultaneously pressing the - / + buttons.</li> <li>- Press the buttons <b>1 + 3</b> of all controllers/diverters simultaneously which should be registered except the main controller.</li> <li>- Pressing the - / + buttons on the main digital controller simultaneously saves the selection and exits the menu.</li> <li>• <b>Start F3 - De-register</b> =&gt; Confirm selection by simultaneously pressing the - / + buttons.</li> <li>- Pressing the - / + buttons on the main digital controller simultaneously to de-register all existing controllers/diverters except the main controller.</li> </ul> <p>Abort the menu by pressing and holding the <b>Start/Stop</b> button or after 3 minutes without triggering.</p>	<p>Illuminated ring flashes red 1x  Illuminated ring flashes red 3x</p> <p>Illuminated ring flashes green 1x  Illuminated ring flashes green 1x</p> <p>Illuminated ring flashes green 3x</p> <p>Illuminated ring flashes green 1x  Illuminated ring flashes green 3x</p> <p>Illuminated ring flashes violet 1x</p>

Functions of the digital diverter, see fold-out page IV, Fig. [14].

Button	Description	Visualisation
	<p><b>Digital diverter /configuration buttons</b></p> <p>The buttons are assigned to the points of discharge <b>1 - 2 - 3</b>. After that comes <b>0</b> (point of discharge closed). Pressing the button symbol starts the water flow at the corresponding point of discharge. <i>If no water flows (0 set) use main controller.</i></p> <p>The buttons are assigned to the points of discharge as follows:</p> <ul style="list-style-type: none"> <li>- Press button to be occupied.</li> <li>- Pressing and holding the button for 6 seconds to be occupied once again changes to the next point of discharge and saves setting.</li> </ul>	<p>Water flows to the point of discharge</p> <p>The water flow starts Water flows out of the next point of discharge</p>

### Maintenance

Inspect and clean all components and replace if necessary.

 **Disconnect voltage supply.**

 **Close isolating valves.**

**Disconnect all plug-in connectors**, see fold-out page II, Fig. [7].

**I. Change digital controller/diverter batteries**, see fold-out page IV, Fig. [15].

Batteries which are almost discharged are indicated by shortened signals of the illuminated ring after pressing a button. Batteries must be changed at the latest when signals are no longer detected.

Lever off base and change **all batteries**, see Technical product information for the digital controller/diverter. Insert batteries with correct polarity.

Assemble in reverse order.

**II. Thermostatic compact cartridge**, see fold-out page II, Fig. [4] and fold-out page IV, Figs. [16] and [17].

1. Remove screw (A) and detach lid, see fold-out page II, Fig. [4].
2. Remove screw (L), see fold-out page IV, Fig. [16].
3. Detach plug (M1) and remove servo motor (M).
4. Loosen screw ring (N) using a 34mm tool and remove.
5. If necessary, lever out thermostatic compact cartridge (O) via recess (O1).

Assemble in reverse order.

**Observe the correct installation position of the thermostatic compact cartridge (O)**, see detail (O2).

6. Connect plug (M1) to servo motor (M).
7. Connect the voltage supply and open isolating valves.

8. Turn regulating nut (P) until 38 °C is reached.
9. Install servo motor (M), cams (M2) must be positioned one above the other, see Fig. [17].  
If cams (M2) are not one upon the other:
  - Unconnect power supply and plug (M1) of servo motor (M) and then connect again.
  - Wait 3 minutes until the cams (M2) are positioned one above the other and then reinstall.
10. Calibrate functional unit, see menu F2.

**III. Non-return valve (F)**, see fold-out page IV, Fig. [16].

1. Remove the screw plug (E).
2. Remove the non-return valve (F) and filter (G).

**IV. Solenoid valve (R)**, see fold-out page IV, Fig. [18].

Detach plug (R1), remove clip (R2) and remove solenoid valve (R).  
Assemble in reverse order.

### Service

In the event of problems with installation, please switch off the voltage supply and consult a specialist installer or the GROHE Service Hotline via email at [TechnicalSupport-HQ@grohe.com](mailto:TechnicalSupport-HQ@grohe.com).

### Replacement parts

See fold-out page I (\* = special accessories).




### Disposal instructions

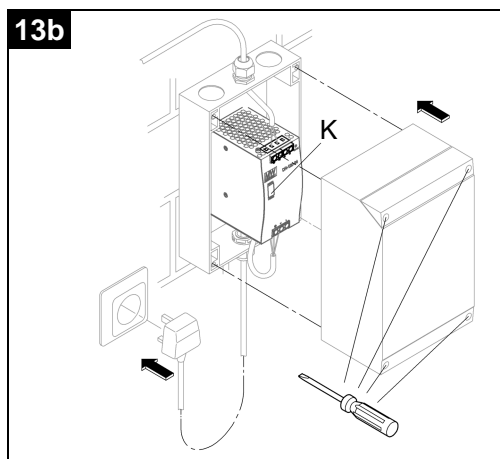
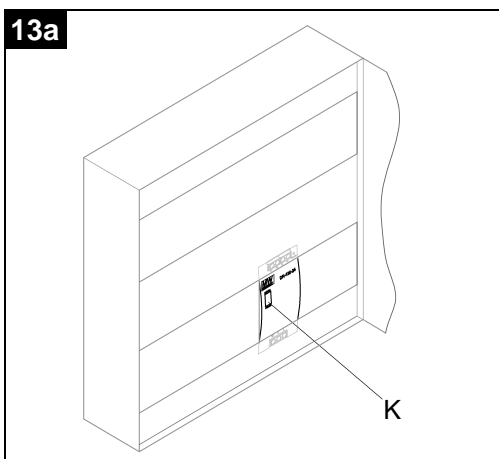
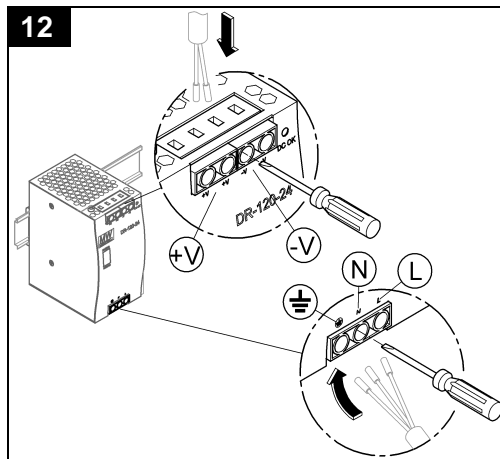
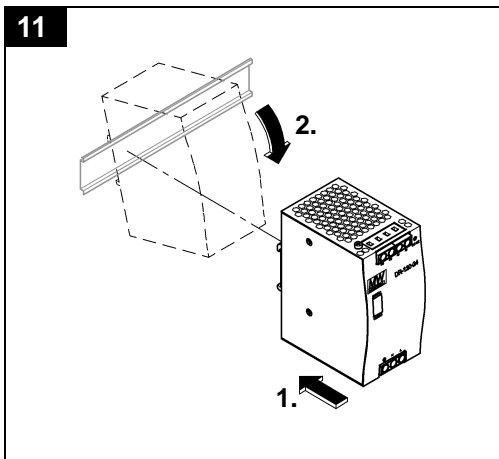
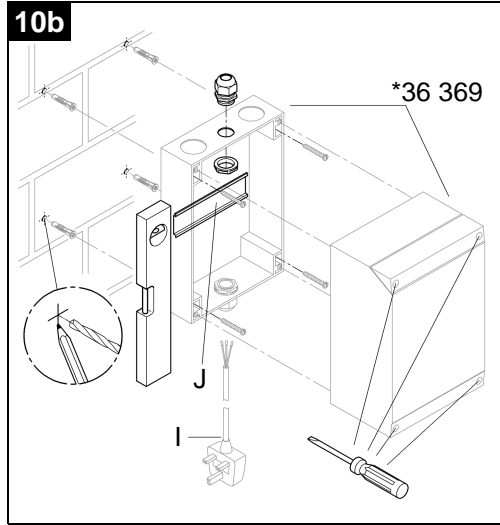
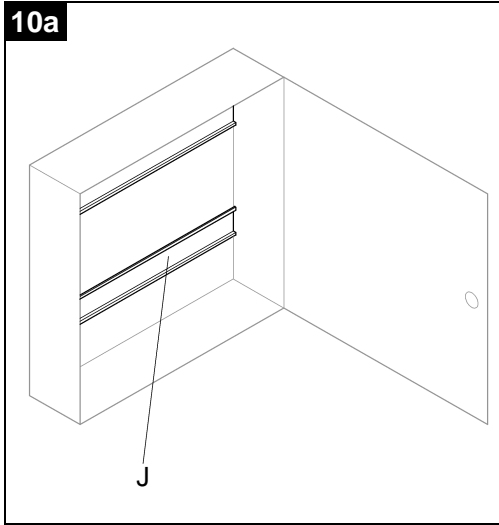


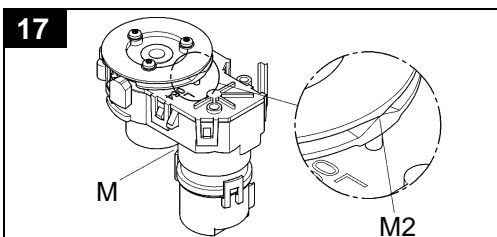
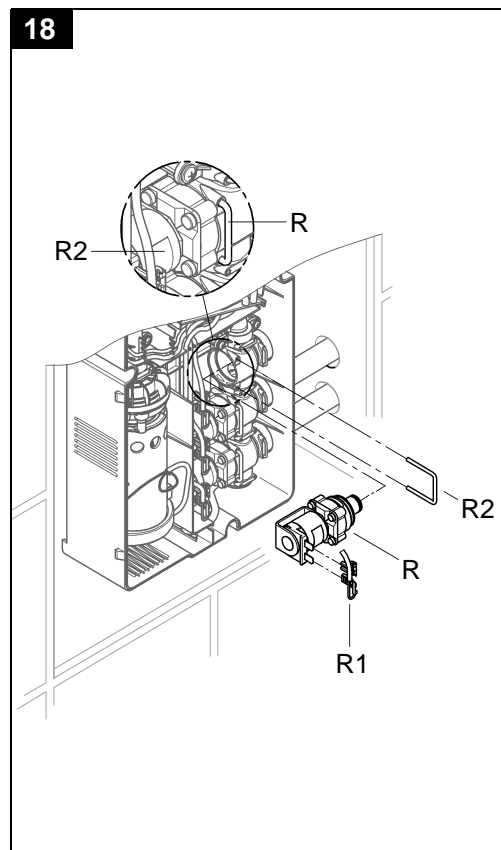
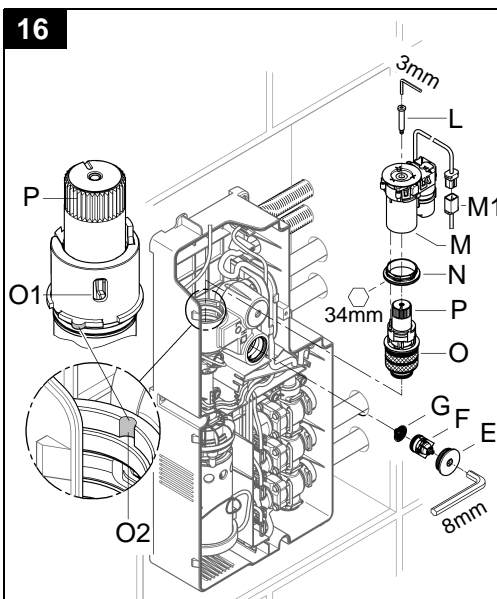
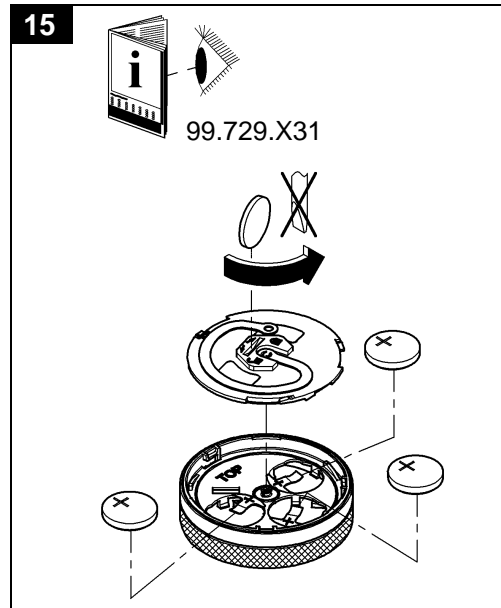
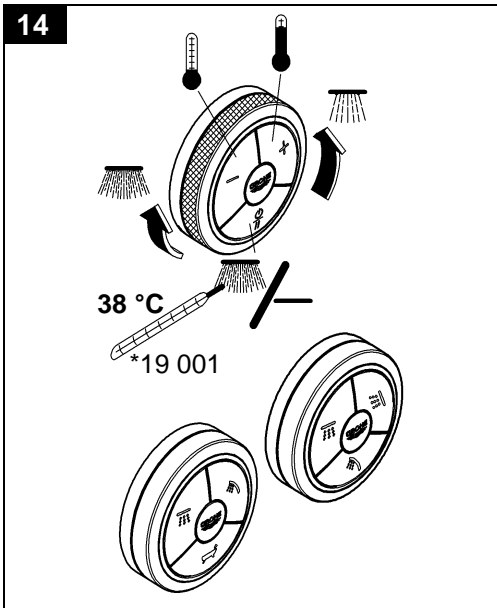
This category of device does **not** belong in the domestic waste, but **must** be disposed of separately in accordance with the relevant local national regulations.

Dispose of batteries in accordance with national regulations.



<b>Fault</b>	<b>Cause</b>	<b>Remedy</b>
<b>Water not flowing</b>	<ul style="list-style-type: none"> <li>• Water supply interrupted</li> <li>• Plug-in connector without contact or no power supply</li> </ul>	<ul style="list-style-type: none"> <li>- Open shut-off valves, isolating valves</li> <li>- Attach plug-in connectors and connect voltage supply</li> </ul>
<b>Flow rate too low</b>	<ul style="list-style-type: none"> <li>• Functional unit not adapted to local conditions</li> </ul>	<ul style="list-style-type: none"> <li>- Calibrate functional unit, see section <b>Selection menu</b></li> </ul>
<b>Water too cold/hot</b>	<ul style="list-style-type: none"> <li>• Functional unit not adapted to local conditions</li> </ul>	<ul style="list-style-type: none"> <li>- Calibrate functional unit, see section <b>Selection menu</b></li> </ul>
<b>No function</b>	<ul style="list-style-type: none"> <li>• No voltage supply to functional unit</li> <li>• Controller not ready</li> </ul>	<ul style="list-style-type: none"> <li>- Connect voltage supply via power supply unit</li> <li>- Insert batteries</li> </ul>
<b>Digital controller/diverter flashes white</b>	<ul style="list-style-type: none"> <li>• Digital controller/diverter out of range</li> </ul>	<ul style="list-style-type: none"> <li>- Check or change position of transceiver</li> </ul>
 Lower segment flashes 1x <b>green</b>	<ul style="list-style-type: none"> <li>• Battery empty</li> <li>• Pump runs dry</li> <li>• Temperature too high</li> </ul>	<ul style="list-style-type: none"> <li>- Insert battery, see section <b>Final installation</b></li> <li>- Prime pump, see section <b>Final installation</b></li> <li>- Check cold and hot water supply</li> <li>- Calibrate functional unit, see section <b>Selection menu</b></li> </ul>
 Lower segment flashes 1x <b>Yellow</b>	<ul style="list-style-type: none"> <li>• Software malfunction</li> </ul>	<ul style="list-style-type: none"> <li>- Switch off the voltage supply and consult a specialist installer or the GROHE Service Hotline</li> </ul>
 Lower segment flashes 1x <b>red</b>	<ul style="list-style-type: none"> <li>• Hard- or software malfunction</li> </ul>	<ul style="list-style-type: none"> <li>- Switch off the voltage supply and consult a specialist installer or sent back to GROHE</li> </ul>





IV

**D**  
Grohe Deutschland  
Vertriebs GmbH  
Zur Porta 9  
32457 Porta Westfalica  
Tel.: +49 571 3989-333  
Fax: +49 571 3989-999

**A**  
GROHE Ges.m.b.H.  
Wienerbergstraße 11/A7  
1100 Wien  
Tel.: +43 1 68060  
Fax: +43 1 6884535

**B**  
GROHE nv - sa  
Diependaalweg 4a  
3020 Winksele  
Tel.: +32 16 230660  
Fax: +32 16 239070

**BG**  
Търговско представителство  
Grohe AG България  
етаж 8, офис 21  
Бул. България 81 Б  
1404 София  
Тел.: +359 2 9719959  
+359 2 9712535  
Факс.: +359 2 9712422

**CDN**  
GROHE Canada Inc.  
1230 Lakeshore Road East  
Mississauga, Ontario  
Canada, L5E 1E9  
Tel.: +1 905 2712929  
Fax: +1 905 2719494

**CH**  
Grohe Switzerland SA  
Bauarena Volketswil  
Industriestrasse 18  
8604 Volketswil  
Tel.: +41 44 8777300  
Fax: +41 44 8777320

**CN**  
高仪 (上海)  
卫生洁具有限公司  
上海市黄陂北路227号  
中区广场607-610室  
电话: +86 21 63758878  
传真: +86 21 63758665

**CY**  
GROME Marketing (Cyprus) Ltd.  
195B, Old Nicosia-Limassol Road  
Dhali Industrial Zone  
P.O. Box 27048  
1641 Nicosia  
Tel.: +357 22 465200  
Fax: +357 22 379188

**CZ SK**  
Grohe ČR s.r.o.  
Zastoupení pro ČR a SR  
V Oblouku 104, Čestlice  
252 43 Průhonice  
Tel.: +420 22509 1082  
Fax: +420 22509 1085

[www.grohe.com](http://www.grohe.com)

2011 / 09 / 30

**DK**  
GROHE A/S  
Walgerholm 11  
3500 Vaerløse  
Tel.: +45 44 656800  
Fax: +45 44 650252

**E**  
GROHE España S.A.  
C/ Botanica, 78 - 88  
Gran Via L'H - Distr. Econòmic  
08908 L'Hospitalet de Llobregat  
(Barcelona)  
Tel.: +34 93 3368850  
Fax: +34 93 3368851

**EST LT LV**  
GROHE AG Eesti filiaal  
Tartu mnt 16  
10117 Tallinn  
Tel.: +372 6616354  
Fax: +372 6616364

**F**  
GROHE s.à.r.l.  
60, Boulevard de la Mission  
Marchand  
92400 Courbevoie - La Défense  
Tel.: +33 1 49972900  
Fax: +33 1 55702038

**FIN**  
Oy Teknocalor Ab  
Sinikellonkuja 4  
01300 Vantaa  
Tel.: +358 9 8254600  
Fax: +358 9 826151

**GB**  
GROHE Limited  
Blays House, Wick Road  
Englefield Green  
Egham, Surrey, TW20 0HJ  
Tel.: +44 871 200 3414  
Fax: +44 871 200 3415

**GR**  
N. Sapountzis S.A.  
86, Kapodistriou & Roumelis Str.  
142 35 N. Ionia - Athens  
Tel.: +30 210 2712908  
Fax: +30 210 2715608

**H**  
GROHE Hungary Kft.  
Röppentyű u. 53.  
1139 Budapest  
Tel.: +36 1 238 80 45  
Fax: +36 1 238 07 13

**HR**  
GROHE AG - Predstavništvo  
Štefanovečka 10  
10000 Zagreb  
Tel.: +385 1 2989025  
Fax: +385 1 2910962

**I**  
Grohe S.p.A.  
Via Crocefisso, 19  
20122 Milano  
Tel.: +39 2 959401  
Fax: +39 2 95940263

**IND**  
Grohe India Pvt. Ltd.  
14th Floor  
DLF Building No. 5, Tower A  
DLF Cyber City, Phase III  
Gurgaon - 122002  
Haryana  
Tel.: +91 124 4933 000  
Fax: +91 124 4933 001

**IS**  
BYKO hf.  
Skemmuvegi 2  
200 Kópavogur  
Tel.: +354 515 4000  
Fax: +354 515 4099

**J**  
Grohe Japan Ltd.  
TRC Building, 3F  
1-1 Heiwajima 6-chome, Ota-ku  
Tokyo 143-0006  
Tel.: +81 3 32989730  
Fax: +81 3 37673811

**N**  
GROHE A/S  
Nils Hansens vei 20  
0667 Oslo  
Tel.: +47 22 072070  
Fax: +47 22 072071

**NL**  
GROHE Nederland BV  
Metaalstraat 2  
2718 SW Zoetermeer  
Tel.: +31 79 3680133  
Fax: +31 79 3615129

**P**  
GROHE Portugal  
Componentes Sanitários, LDA  
Zona Industrial de Areeiros,  
Apt. 167  
3850-200 Albergaria-a-Velha  
Tel.: +351 234 529 900  
Fax: +351 234 529 901

**PL**  
GROHE Polska Sp. z o.o.  
Pulawska 182 Street  
02-670 Warszawa  
Tel.: +48 22 5432 640  
Fax: +48 22 5432 650

**RUS**  
Представительство  
Grohe AG  
Москва, ул. Пусаковская 13, стр. 1  
107140  
тел.: +7 495 9819510  
факс: +7 495 9819511

**RO**  
Grohe AG Reprezentanta  
Strada Nicolae Iorga 13,  
Corp B  
010432 Bucuresti (Sector 1)  
Tel.: +40 21 2125050  
Fax: +40 21 2125048

**S**  
GROHE A/S  
Kungsängsvägen 25  
753 23 Uppsala  
Tel.: +46 771 141314  
Fax: +46 771 141315

**SLO**  
GROSAN inženiring d.o.o.  
Slandrova 4  
1000 Ljubljana  
Tel.: +386 1 5633060  
Fax: +386 1 5633061

**TR**  
GROME IC Ve Dis Ticaret  
Limited Sirketi  
Sun Plaza - Dereboyu Caddesi  
Bilim Sokak. No: 5 Kat:10  
34398 Maslak-Istanbul  
Tel.: +90 212 3281344  
Fax: +90 212 3281772

**UA**  
Представництво  
Grohe AG Україна  
Вул. Івана Франка, 18-А  
01030 Київ  
тел.: +38 044 537 52 73  
факс: +38 044 590 01 96

**USA**  
GROHE America Inc.  
241 Covington Drive  
Bloomingtondale  
Illinois, 60108  
Tel.: +1 630 5827711  
Fax: +1 630 5827722

**Eastern Mediterranean  
Middle East - Africa  
Area Sales Office:**  
GROME Marketing (Cyprus) Ltd.  
195B, Old Nicosia-Limassol Road  
Dhali Industrial Zone  
P.O. Box 27048  
1641 Nicosia  
Tel.: +357 22 465200  
Fax: +357 22 379188

**Far East Area Sales Office:**  
GROHE Pacific Pte. Ltd.  
180 Clemenceau Avenue  
# 01-01/02 Haw Par Centre  
Singapore 239922  
Tel.: +65 6311 3600  
Fax: +65 6378 0855

**GROHE**  
ENJOY WATER®