

sinks

sandringham 1½ bowl

Stylish inset 1½ bowl sink and drainer manufactured from stainless steel.

It's ultra compact size makes this sink particularly suitable for installation in studios or other space saving kitchens.

- Modern space saving design
- Domestic use
- Reversible
- For basket strainer or waste disposal unit
- For inset use

**Illustrated**

S0130MY Sandringham Select inset stainless steel 1½ bowl sink with drainer pack, complete with Sandringham dual control sink monoblock mixer and 1½zin basket strainer wastes - both chromium plated

Material

Stainless steel (18/10)

Weight

Sink pack 7.1kg
Sink only 5.0kg

Colours

Available in polished finish only

Options

S0128MY Sandringham Select inset stainless steel 1½ bowl sink with drainer pack, complete with Sandringham SL single lever sink monoblock mixer and 1½zin basket strainer wastes - both chromium plated

Sink and mixers are available as separate items as below:-

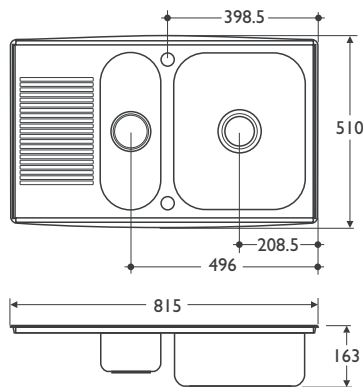
S5873MY Sandringham Select inset stainless steel 1½ bowl sink with drainer and 1½zin basket strainer wastes, chromium plated

B4449AA Sandringham SL single lever monoblock sink mixer, chromium plated

S7928AA Sandringham dual control monoblock sink mixer, dual flow swivel nozzle, chromium plated

Special notes

A waste disposal unit can be fitted to these sinks. It is not possible to fit a drawer unit below



sinks

domestic

