

Flomate

Mains Boost Pump

Flomate offers a simple solution to boost mains water pressure without the need for a cold water break tank and is designed to be connected directly to the incoming mains. Flomate is fully WRAS approved and operates within current UK Water Regulations.

The pump also features a built-in bypass, meaning that when the mains pressure exceeds 1.5 bar, the additional performance is not restricted. The pump will automatically start when a flow rate of 0.6 l/min or more exists.

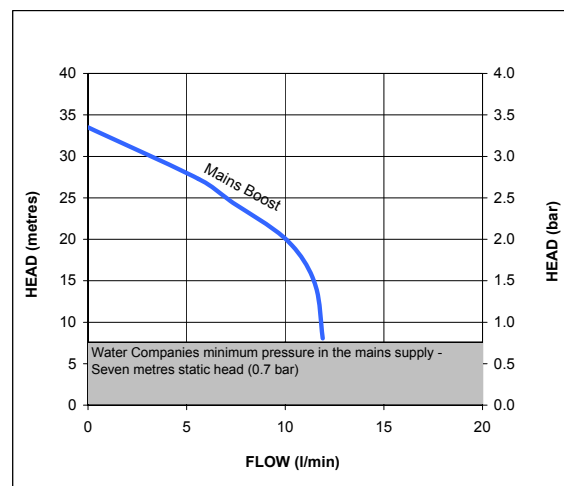


Features

- WRAS approved
- Robust brass construction
- Continuously rated
- Nitrile/carbon/silicon carbide seal
- Pre-wired with 1.5 metre power cable
- Anti-vibration feet
- 3 year guarantee (subject to conditions)
- Automatic switching
- Max. flow 12 l/min
- Easy installation

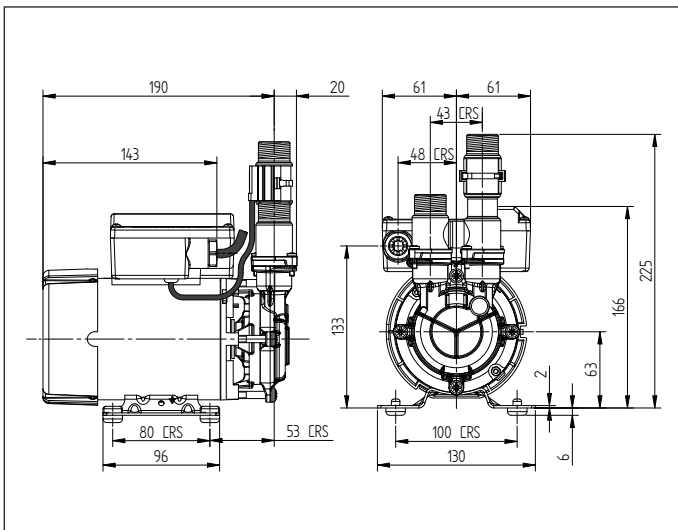
Application

- At times when there is insufficient mains water pressure Flomate is designed to ensure that the pump will deliver an additional 1.5 bar to any existing mains pressure at a maximum flow rate of 12 l/min.



Flomate

Pump Model		Flomate Mains Boost 46574
General	Guarantee	3 years
	WRAS approval	1210040
Features	Pump type	Peripheral
	Mechanical seal	Nitrile / Carbon / Silicon Carbide
	Anti-vibration feet	✓
	Dry run protection	✓
Performance	Maximum head (closed valve)	3.2 bar
	Maximum flow	12 l/min
	Maximum working pressure*	600 kPa (6 bar)
	Maximum ambient air temperature	40 °C
	Min / Max water temperature	Min 4 °C / Max 35 °C
	Flow switch sensitivity (approx)	0.6 l/min
Connections	Pump connections	G ¾ male
Motor	Type	Induction, auto-reset thermal trip
	Duty rating	Continuous (S1)
Electrical	Power supply / phase / frequency	230 V a.c. / 1 / 50 Hz
	Current (full load)	1.7 Amps
	Power consumption	380 Watts
	Fuse rating	5 Amps
	Power cable (pre-wired)	1.5 metres
Physical	Enclosure protection	IPX4
	Length	210 mm
	Width	130 mm
	Height (excluding hoses)	231 mm
	Weight (including fittings)	5.2 Kg



* The maximum pressure that can be applied to the pump under any installation conditions.

Stuart Turner Limited reserves the right to amend specifications without notice.