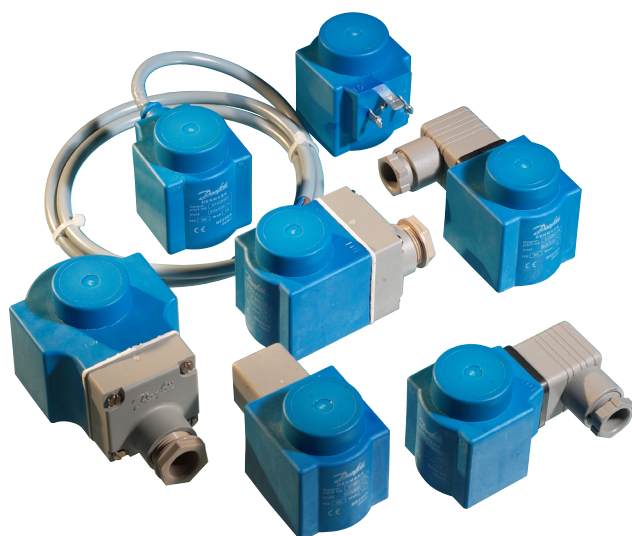


## Data sheet

# Coils for solenoid valves



Danfoss solenoid valves and coils are usually ordered separately to allow maximum flexibility, enabling you to select a valve and coil combination to best suit your needs. The Danfoss coil program consists of both the easy-to-handle Clip-On system and traditional coils with threaded fastener. Also, with approvals such as EEx/ATEX and UL, we offer a wide range of application specific coils for e.g. steam or hazardous areas.

## Features

- Encapsulated coils with long operating life, even under extreme conditions
  - Standard coils for a.c. or d.c.
  - Standard coils from 12 V to 400 V, 50, 60 or 50/60 Hz
  - Coils can be fitted without use of tools
  - Coils can only be removed with use of tools
- Standard coils available with:
    - Cable plugs
    - Industrial plugs
    - Terminal box
    - 3 core cable
    - Junction box
    - Conduit hub

**BA, High performance coils**



- Ambient temperature: Up to 40 °C
- IP00 version with DIN 43650 A spade connectors
- IP20 version with protective cap
- IP65 version with mounted cable plug

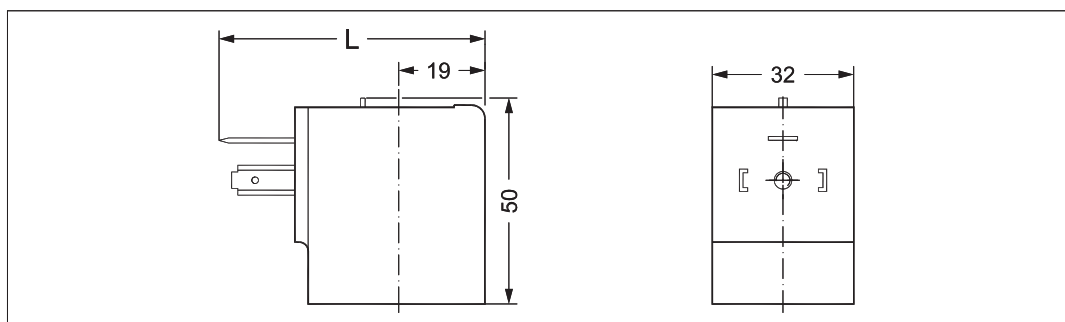
Coil type	Power consumption holding	Supply voltage [V]	Frequency [Hz]	Code no.
BA024A	9 W	24 a.c.	50	042N7508
BA048A	9 W	48 a.c.	50	042N7510
BA115A	9 W	115 a.c.	50	042N7512
BA230A	9 W	220 – 230 a.c.	50	042N7501
BA240A	9 W	240 a.c.	50	042N7502
BA380A	9 W	380 – 400 a.c.	50	042N7504
BA024B	9 W	24 a.c.	60	042N7520
BA115B	9 W	115 a.c.	60	042N7522
BA220B	9 W	220 a.c.	60	042N7523
BA012D	15 W	12 d.c.	d.c.	042N7550
BA024D	15 W	24 d.c.	d.c.	042N7551

**Technical data**

Design	In accordance with VDE 0580	
Voltage tolerance	220/380 V a.c.	-15%, +10%
	230/400 V a.c.	-10%, +6%
	Other a.c. coils with NC valve	-15%, +10%
	Other a.c. coils with NO valve and all d.c.	± 10%
Power consumption, cut in	39 VA a.c. coils only	
Insulation of coil windings	Class H according to IEC 85	
Connection	Spade connector in accordance with DIN 43650 form A	
Enclosure, IEC 529	IP00 with spade connec. IP20 with protective cap, IP65 with cable plug	
Ambient temperature	Max. 40 °C	
Duty rating	Continuous	
Plug type	Cable plug	

**Dimensions and weight**

Type	L without cable plug [mm]	L with protective cap [mm]	L with cable plug [mm]	Weight [kg]
BA	54	71	79	0.16



**BD, High performance coils**



- Ambient temperature: Up to 40 °C
- IP00 version with DIN 43650 A spade connectors
- IP20 version with protective cap
- IP65 version with mounted cable plug

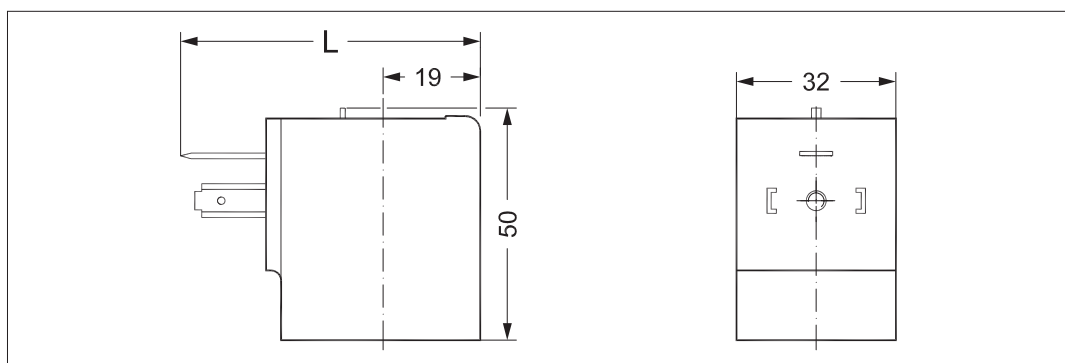
Coil type	Power consumption holding	Supply voltage [V]	Frequency [Hz]	Code no.
BD024A	15 W	24 a.c.	50	<b>042N7597</b>
BD230A	15 W	230 a.c.	50	<b>042N7591</b>

**Technical data**

Design	In accordance with VDE 0580		
Voltage tolerance	230 V a.c.	-10%, +6%	
	Other a.c. coils with NC valve	-15%, +10%	
	Other a.c. coils with NO valve and all d.c.	± 10%	
Power consumption, cut in	54 VA		
Insulation of coil windings	Class H according to IEC 85		
Connection	Spade connector in accordance with DIN 43650 form A		
Enclosure, IEC 529	IP00 with spade connec. IP20 with protective cap, IP65 with cable plug		
Ambient temperature	Max. 40 °C		
Duty rating	Continuous		
Plug type	Cable plug		

**Dimensions and weight**

Type	L without cable plug [mm]	L with protective cap [mm]	L with cable plug [mm]	Weight [kg]
BD	54	71	79	0.16



**BB, High performance coils**



- Ambient temperature: Up to 80 °C
- IP00 version with DIN 43650 A spade connectors
- IP20 version with protective cap
- IP65 version with mounted cable plug

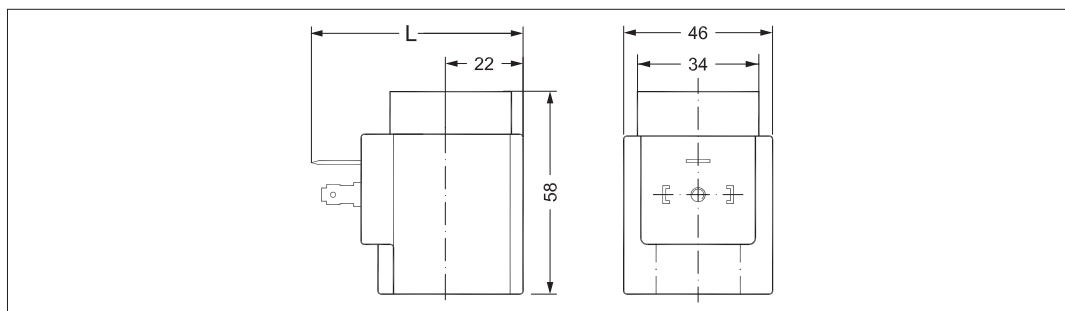
Coil type	Power consumption holding	Supply voltage [V]	Frequency [Hz]	Ambient temperature [°C]	Code no.
BB024AS	10 W	24 a.c.	50	80	018F7358
BB115AS	10 W	115 a.c.	50	80	018F7361
BB230AS	10 W	220 – 230 a.c.	50	80	018F7351
BB240AS	10 W	240 a.c.	50	80	018F7352
BB380AS	10 W	380 – 400 a.c.	50	80	018F7353
BB024BS	10 W	24 a.c.	60	80	018F7365
BB110CS	10 W	110 a.c.	50/60	50	018F7360
BB230CS	10 W	220 – 230 a.c.	50/60	50	018F7363
BB012DS	18 W	12 d.c.	d.c.	50	018F7396
BB024DS	18 W	24 d.c.	d.c.	50	018F7397

**Technical data**

Design	In accordance with VDE 0580	
Voltage tolerance	220/380 V a.c.	-15%, +10%
	230/400 V a.c.	-10%, +6%
	Other a.c. coils with NC valve	-15%, +10%
	Other a.c. coils with NO valve and all d.c. coils	± 10%
Power consumption, cut in	44 VA a.c. coils only	
Insulation of coil windings	Class H according to IEC 85	
Connection	Spade connector in accordance with DIN 43650 form A	
Enclosure, IEC 529	IP00 with spade connec. IP20 with protective cap, IP65 with cable plug	
Ambient temperature	Max. 50 °C / 80 °C	
Duty rating	Continuous	
Plug type	Cable plug	

**Dimensions and weight**

Type	L without cable plug [mm]	L with protective cap [mm]	L with cable plug [mm]	Weight [kg]
BB	62	77	85	0.24



BE, High performance coils



- Ambient temperature: Up to 80 °C
- IP67 for moist environments with terminal box

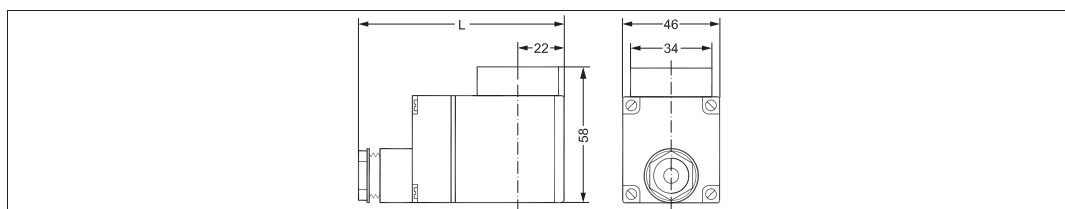
Coil type	Power consumption holding	Supply voltage [V]	Frequency [Hz]	Ambient temperature [°C]	Code no.
BE024AS	10 W	24 a.c.	50	80	018F6707
BE048AS	10 W	48 a.c.	50	80	018F6709
BE115AS	10 W	115 a.c.	50	80	018F6711
BE230AS	10 W	220 – 230 a.c.	50	80	018F6701
BE240AS	10 W	240 a.c.	50	80	018F6702
BE380AS	10 W	380 – 400 a.c.	50	80	018F6703
BE024BS	10 W	24 a.c.	60	80	018F6715
BE115BS	10 W	115 a.c.	60	80	018F6710
BE220BS	10 W	220 a.c.	60	80	018F6714
BE110CS	10 W	110 a.c.	50/60	50	018F6730
BE230CS	10 W	230 a.c.	50/60	50	018F6732
BE012DS	18 W	12 d.c.	d.c.	50	018F6756
BE024DS	18 W	24 d.c.	d.c.	50	018F6757

Technical data

Design	In accordance with VDE 0580	
Voltage tolerance	220/380 V a.c.	-15%, +10%
	230/400 V a.c.	-10%, +6%
	Other a.c. coils with NC valve	-15%, +10%
	Other a.c. coils with NO valve and all d.c. coils	± 10%
Power consumption, cut in	44 VA a.c. coils only	
Insulation of coil windings	Class H according to IEC 85	
Connection	Terminal box	
Enclosure, IEC 529	IP67	
Ambient temperature	Max. 50 °C / 80 °C	
Duty rating	Continuous	
Plug type	Terminal box	

Dimensions and weight

Type	L with terminal box [mm]	L with 1m cable [mm]	Weight [kg]
BE	94	65	0.30



**BF, High performance coils**



- Ambient temperature: Up to 80 °C
- IP67 for moist environments with molded-in cable

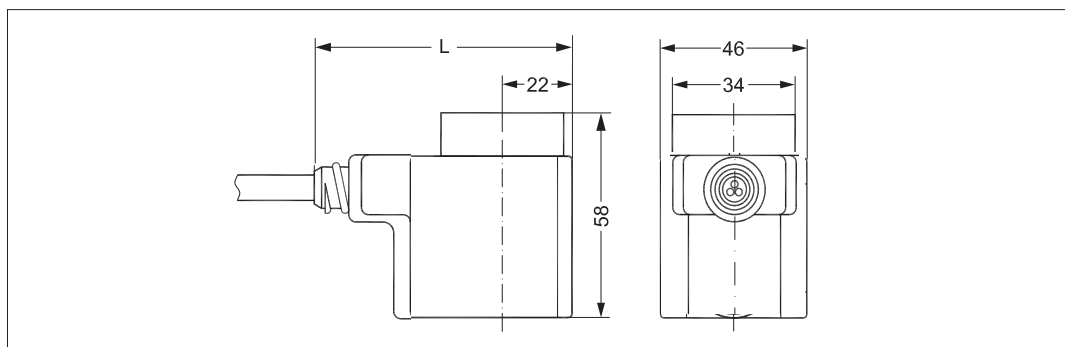
Coil type	Power consumption holding	Supply voltage [V]	Frequency [Hz]	Ambient temperature [°C]	Code no.
BF230AS	10 W	220 – 230 a.c.	50	80	018F6251
BF240AS	10 W	240 a.c.	50	80	018F6252
BF400AS	10 W	380 – 400 a.c.	50	80	018F6253
BF024AS	10 W	24 a.c.	50	80	018F6257
BF115BS	10 W	115 a.c.	60	80	018F6260
BF220BS	10 W	220 a.c.	60	80	018F6264
BF024BS	10 W	24 a.c.	60	80	018F6265
BF110CS	10 W	110 a.c.	50/60	50	018F6280
BF230CS	10 W	220 – 230 a.c.	50/60	50	018F6282

**Technical data**

Design	In accordance with VDE 0580	
Voltage tolerance	220/380 V a.c.	-15%, +10%
	230/400 V a.c.	-10%, +6%
	Other a.c. coils with NC valve	-15%, +10%
	Other a.c. coils with NO valve and all d.c. coils	± 10%
Power consumption, cut in	44 VA a.c. coils only	
Insulation of coil windings	Class H according to IEC 85	
Connection	1 m 3-core flying lead	
Enclosure, IEC 529	IP67	
Ambient temperature	Max. 50 °C / 80 °C	
Duty rating	Continuous	

**Dimensions and weight**

Type	L with 1m cable [mm]	Weight [kg]
BF	67	0.30



**BG, High performance coils**



- Ambient temperature: Up to 80 °C
- IP67 for moist environments with terminal box

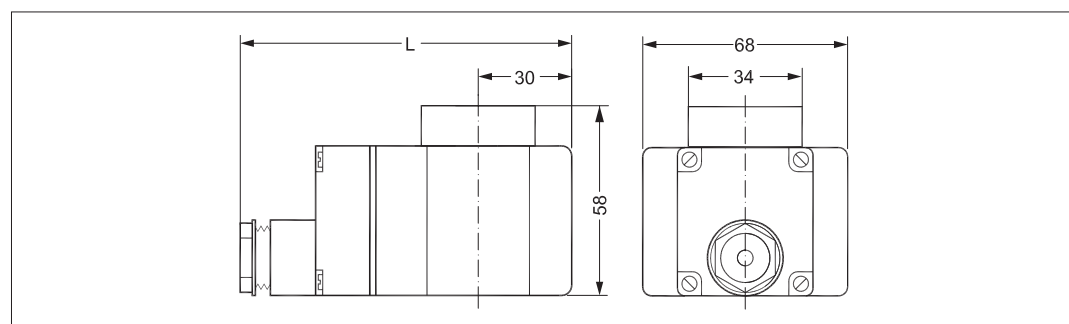
Coil type	Power consumption holding	Supply voltage [V]	Frequency [Hz]	Ambient temperature [°C]	Code no.
BG024AS	12 W	24 a.c.	50	80	018F6807
BG110AS	12 W	110 a.c.	50	80	018F6811
BG230AS	12 W	220 – 230 a.c.	50	80	018F6801
BG240AS	12 W	240 a.c.	50	80	018F6802
BG380AS	12 W	380 – 400 a.c.	50	80	018F6803
BG024BS	12 W	24 a.c.	60	80	018F6815
BG110BS	12 W	110 a.c.	60	80	018F6813
BG220BS	12 W	220 a.c.	60	80	018F6814
BG012DS	20 W	12 d.c.	d.c.	50	018F6856
BG024DS	20 W	24 d.c.	d.c.	50	018F6857

**Technical data**

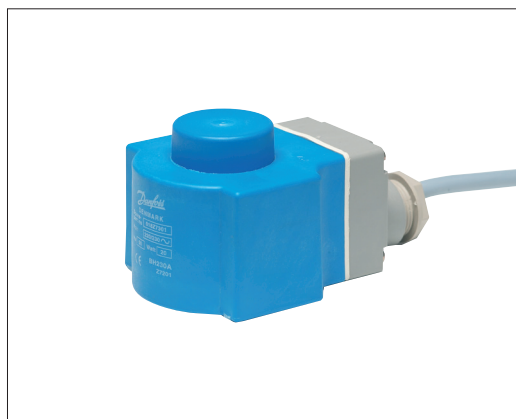
Design	In accordance with VDE 0580	
Voltage tolerance	220/380 V a.c.	-15%, +10%
	230/400 V a.c.	-10%, +6%
	Other a.c. coils with NC valve	-15%, +10%
	Other a.c. coils with NO valve and all d.c. coils	± 10%
Power consumption, cut in	55 VA a.c. coils only	
Insulation of coil windings	Class H according to IEC 85	
Connection	Terminal box	
Enclosure, IEC 529	IP67	
Ambient temperature	Max. 80 °C	
Duty rating	Continuous	
Plug type	Terminal box	

**Dimensions and weight**

Type	L with terminal box [mm]	Weight [kg]
BG	112	0.50



**BN, High performance coils**



- Hum-free
- Ambient temperature: Up to 50 °C
- IP67 for moist environments with flying lead

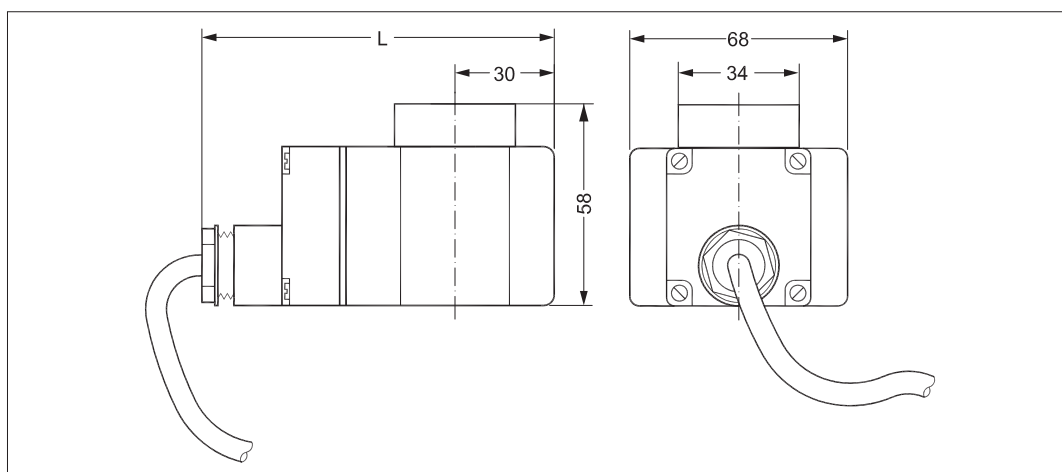
Coil type	Power consumption holding	Supply voltage [V]	Frequency [Hz]	Code no.
BN230CS	20 W	220 - 230 a.c.	50/60	<b>018F7301</b>

**Technical data**

Design	In accordance with VDE 0580	
Voltage tolerance	220 V a.c.	-15%, +10%
	230 V a.c.	-10%, +6%
Power consumption, cut in	24 VA	
Insulation of coil windings	Class H according to IEC 85	
Connection	1 m 3-core flying lead	
Enclosure, IEC 529	IP67	
Ambient temperature	Max. 50 °C	
Duty rating	Continuous	

**Dimensions and weight**

Type	L with 1 m cable [mm]	Weight [kg]
BN	112	0.60





**BO, High performance coils**



- Ambient temperature: Up to 60 °C
- Medium temperature: Up to 90 °C
- IP67 for moist environments with flying lead and seal kit
- With ATEX approval

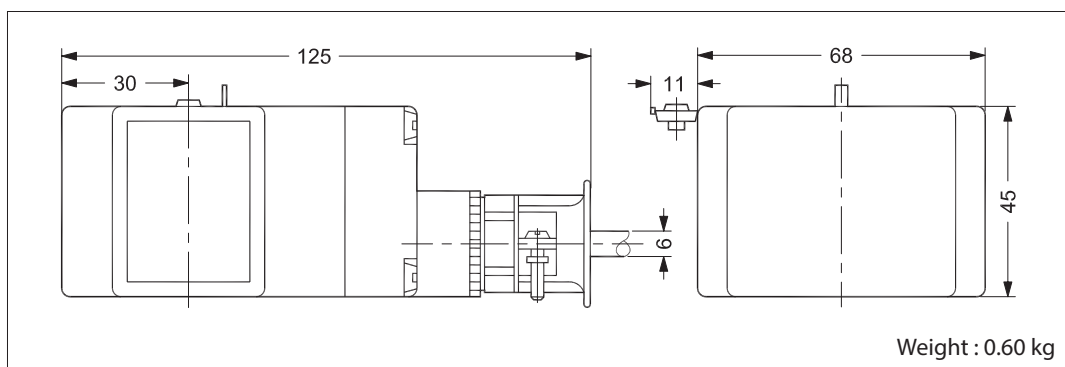
Coil type	Power consumption holding	Supply voltage [V]	Frequency [Hz]	Code no.
BO024C	10 W	24 a.c.	50/60	<b>018Z6595</b>
BO048C	10 W	48 a.c.	50/60	<b>018Z6594</b>
BO110C	10 W	110 a.c.	50/60	<b>018Z6593</b>
BO230C	10 W	230 a.c.	50/60	<b>018Z6592</b>
BO240C	10 W	240 a.c.	50/60	<b>018Z6591</b>
BO024D	10 W	24 d.c.	d.c.	<b>018Z6596</b>

**Technical data**

Voltage tolerance	± 10%
Insulation of coil windings	Class H according to IEC 85
Connection	5 m 3-core flying lead
Enclosure, IEC 529	IP67
Ambient temperature	Up to 60 °C
Media temperature	Max. 90 °C
Duty rating	Continuous

Description	Application	Code no.
Seal kit	Wet environment	<b>018Z0090</b>

**Dimensions and weight**



AB coil



- Ambient temperature: Up to 50 °C
- IP00 version with 6.3 x 0.8 mm spade connectors
- IP65 version with mounted industrial plug

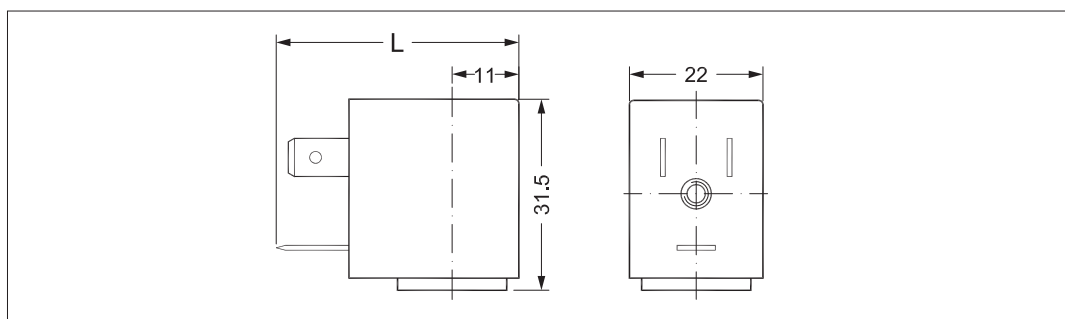
Coil type	Power consumption holding	Supply voltage [V]	Frequency [Hz]	Code no.
AB024C	4.5 W	24 a.c.	50/60	042N0802
AB110C	4.5 W	110 a.c.	50/60	042N0804
AB230C	4.5 W	220 – 230 a.c.	50/60	042N0800
AB240C	4.5 W	240 a.c.	50/60	042N0801
AB012D	5 W	12 d.c.	d.c.	042N0806
AB024D	5 W	24 a.c.	d.c.	042N0803

Technical data

Design	In accordance with VDE 0580
Voltage tolerance	± 10%
Power consumption, cut in	9.5 VA a.c. coils only
Insulation of coil windings	Class H according to IEC 85
Connection	Spade connectors, 6.3 x 0.8 mm
Enclosure, IEC 529	IP00 with spade connector, IP65 with industrial plug
Ambient temperature	Max. 50 °C
Duty rating	Continuous
Plug type	Industrial plug

Dimensions and weight

Type	L without cable plug [mm]	L with cable plug [mm]	Weight [kg]
AB	40	56	0.05



AC coil



- Ambient temperature: Up to 50 °C
- IP00 version with 6.3 x 0.8 mm spade connectors
- IP65 version with mounted industrial plug

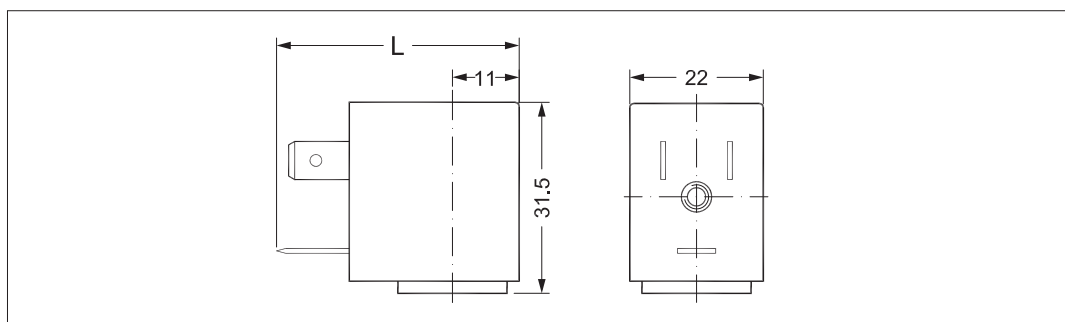
Coil type	Power consumption holding	Supply voltage [V]	Frequency [Hz]	Code no.
AC024C	7 W	24 a.c.	50/60	042N0823
AC110C	7 W	110 a.c.	50/60	042N0825
AC230C	7 W	220 – 230 a.c.	50/60	042N0821
AC240C	7 W	240 a.c.	50/60	042N0822
AC024D	10 W	24 d.c.	d.c.	042N0824

Technical data

Design	In accordance with VDE 0580
Voltage tolerance	± 10%
Power consumption, cut in	16 VA a.c. coils only
Insulation of coil windings	Class H according to IEC 85
Connection	Spade connectors, 6.3 x 0.8 mm
Enclosure, IEC 529	IP00 with spade connector, IP65 with industrial plug
Ambient temperature	Max. 50 °C
Duty rating	Continuous
Plug type	Industrial plug

Dimensions and weight

Type	L without cable plug [mm]	L with cable plug [mm]	Weight [kg]
AC	40	56	0.05



AM coil



- Ambient temperature: Up to 50 °C
- IP00 version with terminals DIN 43650 form A
- IP20 version with protective cap
- IP65 version with mounted cable plug

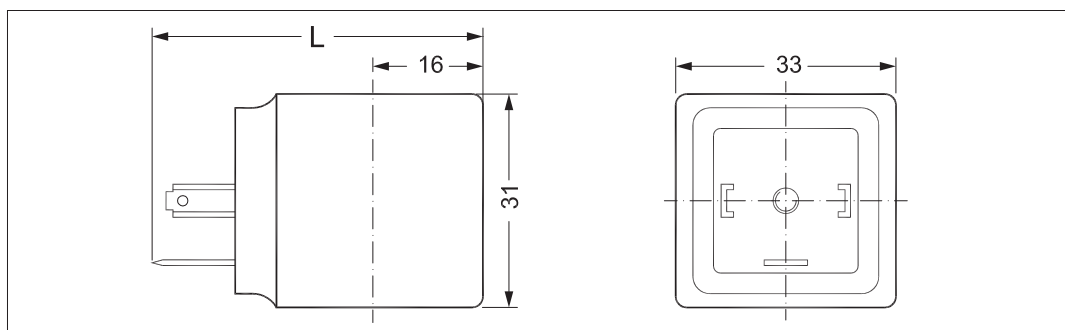
Coil type	Power consumption holding	Supply voltage [V]	Frequency [Hz]	Code no.
AM024C	7.5 W	24 a.c.	50/60	042N0842
AM110C	7.5 W	110 a.c.	50/60	042N0845
AM230C	7.5 W	220 – 230 a.c.	50/60	042N0840
AM240C	7.5 W	240 a.c.	50/60	042N0841
AM012D	9.5 W	12 d.c.	d.c.	042N0848
AM024D	9.5 W	24 d.c.	d.c.	042N0843

Technical data

Design	In accordance with VDE 0580
Voltage tolerance	± 10%
Power consumption, cut in	22.5 VA a.c. coils only
Insulation of coil windings	Class H according to IEC 85
Connection	Spade connector in accordance with DIN 43650 form A
Enclosure, IEC 529	IP00 with spade connector, IP65 with cable plug
Ambient temperature	Max. 50 °C
Duty rating	Continuous
Plug type	Cable plug

Dimensions and weight

Type	L without cable plug [mm]	L with cable plug [mm]	L with protective cap [mm]	Weight [kg]
AM	48	72	64	0.10



AP, Compact UL recognised coils



- Ambient temperature: Up to 50 °C / 122 °F
- IP65 / NEMA2
- For UL recognised valves

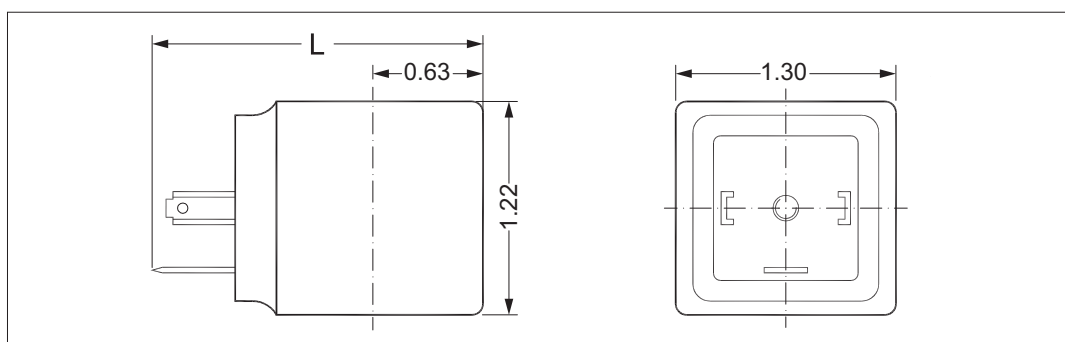
Coil type	Power consumption holding	Supply voltage [V]	Frequency [Hz]	Code no.
AP240B	5 W	208 – 240 a.c.	60	042N4191
AP240B	7 W	230 a.c.	50	042N4191
AP120B	5 W	110 – 120 a.c.	60	042N4192
AP024B	5 W	24 a.c.	60	042N4193

Technical data

Design	In accordance with VDE 0580
Voltage tolerance	± 10%
Power consumption, cut in	15 VA a.c. coils only
Insulation of coil windings	Class H according to IEC 85
Connection	Spade connector in accordance with DIN 43650 form A
Enclosure, IEC 529	IP00 with spade connector, IP65/NEMA2 with cable plug
Ambient temperature	Max. 50 °C / 122 °F
Duty rating	Continuous
Plug type	Cable plug

Dimensions and weight

Type	L without cable plug [in]	L with cable plug [in]	L with protective cap [in]	Weight [kg / lbs]
AP	1.89	2.83	2.52	0.10 / 0.22



**BT, High performance coils**



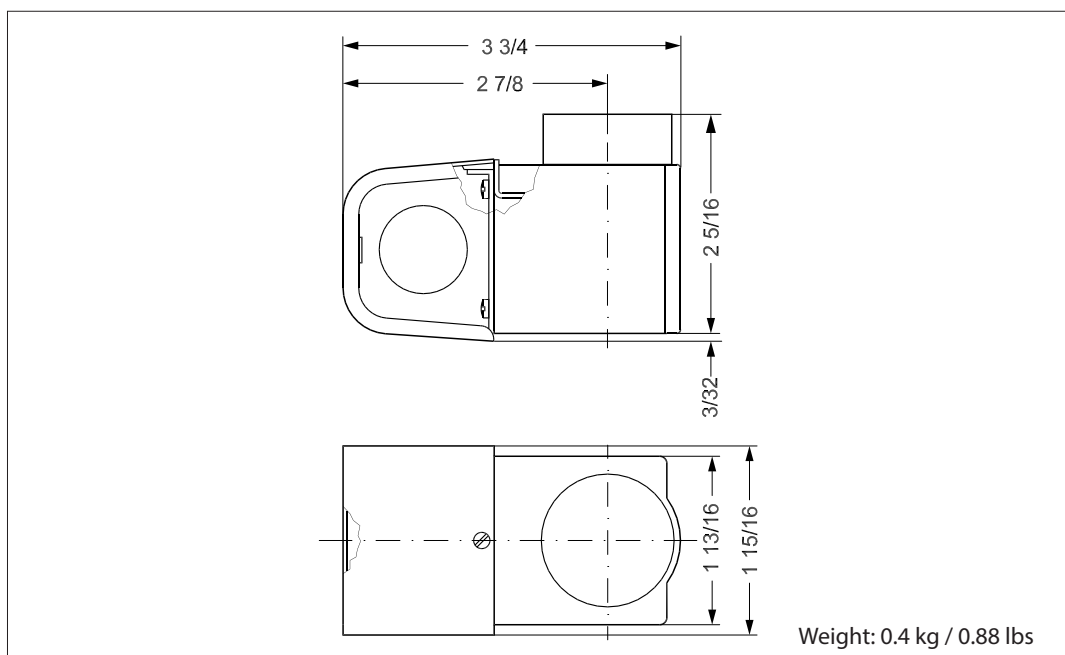
- Ambient temperature: Up to 50 °C / 122 °F
- IP32 / NEMA2 with junction box
- For UL listed valves

Coil type	Power consumption holding	Supply voltage [V]	Frequency [Hz]	Code no.
BT240CS	11 W	208 – 240 a.c.	60	<b>018F7681</b>
BT240CS	14 W	230 a.c.	50	<b>018F7681</b>
BT120CS	14 W	110 a.c.	50/60	<b>018F7682</b>
BT120CS	13 W	120 a.c.	60	<b>018F7682</b>
BT024CS	14 W	24 a.c.	50/60	<b>018F7683</b>

**Technical data**

Design	In accordance with UL 429	
Voltage tolerance	a.c. coils	-15%, +10%
Power consumption, cut in	49 VA	
Insulation of coil windings	Class H according to IEC 85	
Connection	Junction box	
Enclosure, IEC 529	Junction box NEMA2 ~ IP12-32	
Ambient temperature	-40 – 50 °F / -40 – 122 °F	

**Dimensions and weight**



**BU, High performance coils**



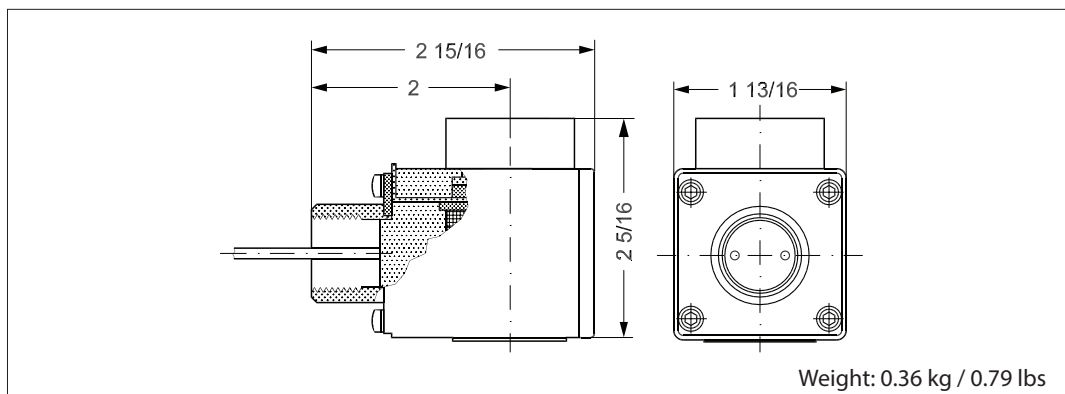
- Ambient temperature: Up to 50 °C / 122 °F
- IP54 / NEMA4 with conduit hub
- For UL listed valves

Coil type	Power consumption holding	Supply voltage [V]	Frequency [Hz]	Code no.
BU240CS	11 W	208 – 240 a.c.	60	<b>018F7691</b>
BU240CS	14 W	230 a.c.	50	<b>018F7691</b>
BU120CS	14 W	120 a.c.	50/60	<b>018F7692</b>
BU120CS	13 W	120 a.c.	60	<b>018F7692</b>
BU024CS	14 W	24 a.c.	50/60	<b>018F7693</b>

**Technical data**

Design	In accordance with UL 429	
Voltage tolerance	a.c. coils	-15%, +10%
Power consumption, cut in	49 VA	
Insulation of coil windings	Class H according to IEC 85	
Connection	Conduit hub	
Enclosure, IEC 529	Conduit hub NEMA4 ~ IP54	
Ambient temperature	-40 – 50 °F / -40 – 122 °F	

**Dimensions and weight**



**BY, High performance coils**



- Ambient temperature: Up to 50 °C / 122 °F
- Up to IP65 / NEMA4
- For UL listed valves

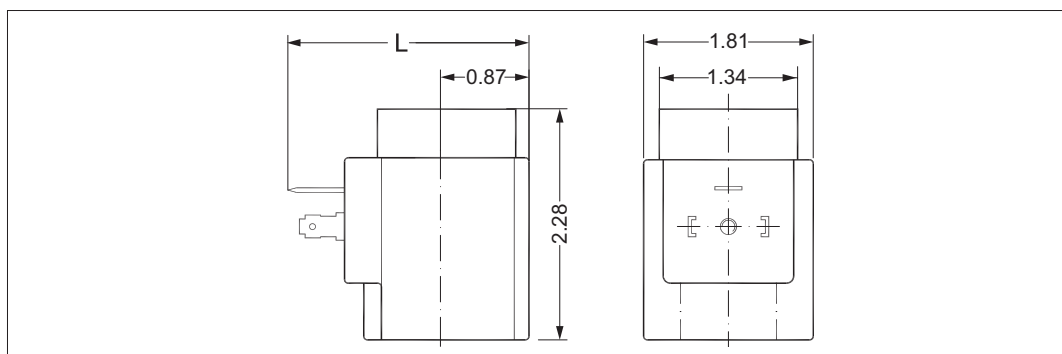
Coil type	Power consumption holding	Supply voltage [V]	Frequency [Hz]	Code no.
BY024CS	14 W	24 a.c.	50/60	018F7655
BY240CS	14 W	208 – 240 a.c.	60	018F7658
BY240CS	14 W	230 a.c.	50	018F7658
BY120CS	14 W	110 a.c.	50/60	018F7663
BY120CS	14 W	120 a.c.	60	018F7663

**Technical data**

Design	In accordance with UL 429		
Voltage tolerance	a.c. coils	-15%, +10%	
Power consumption, cut in	49 VA		
Insulation of coil windings	Class H according to IEC 85		
Connection	Spade connector in accordance with DIN 43650 form A		
Enclosure, IEC 529	Up to IP65 / NEMA4		
Ambient temperature	-40 – 50 °F / -40 – 122 °F		
Plug type	Cable plug		

**Dimensions and weight**

Type	L without cable plug [in]	L with protective cap [in]	L with cable plug [in]	Weight [kg / lbs]
BY	2.44	3.03	3.35	0.24 / 0.53





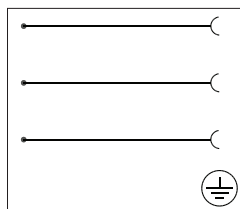
Cable plug



- For use with Danfoss coils type AM, BA, BB, BD and BY
- a.c./d.c. all voltages up to 250 V
- Enclosure: Up to IP65
- Ambient temperature: Up to 90 °C / 194 °F

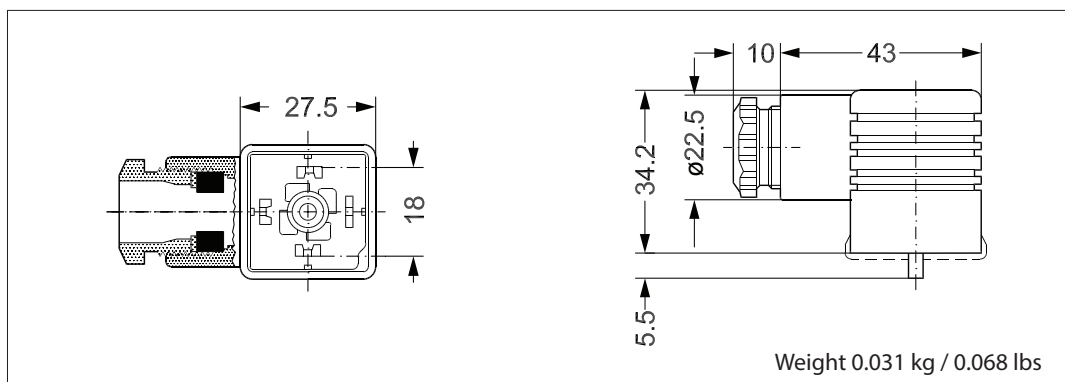
Cable plug size	Description	Suitable for coil types	Code no.
DIN 18	Cable plug according to DIN 43650-A PG 11	AM, BA, BB, BD, BY	042N0156

Technical data



Type	GDM 2011 J (Grey)	
Design	DIN 43650-A	
Cable gland	PG 11	
Poles	2 + PE	
Max. voltage	250 V a.c./d.c.	
Approvals	cULus CSA, VDE	
Protection class	IP65 (IEC 60529)	
Max. operating current	16 A	
Contact resistance	< 10m Ω	
Cable diameter	ø 4.5 – 11 mm	
Wire cross section	Max. 1.5 mm <sup>2</sup>	
Ambient temperature	-30 – 90 °C / -22 – 194 °F	
Materials	Contacts:	CuSn (Tin plated)
	Terminal block:	PA 6 GF
	Profiled gasket:	NBR
	Housing:	PA 6 GF

Dimensions and weight



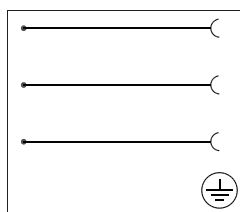
Cable plug



- For use with Danfoss coils type AM, BA, BB, BD and BY
- a.c./d.c. all voltages up to 250 V
- Enclosure: Up to IP65
- Ambient temperature: Up to 80 °C / 176 °F

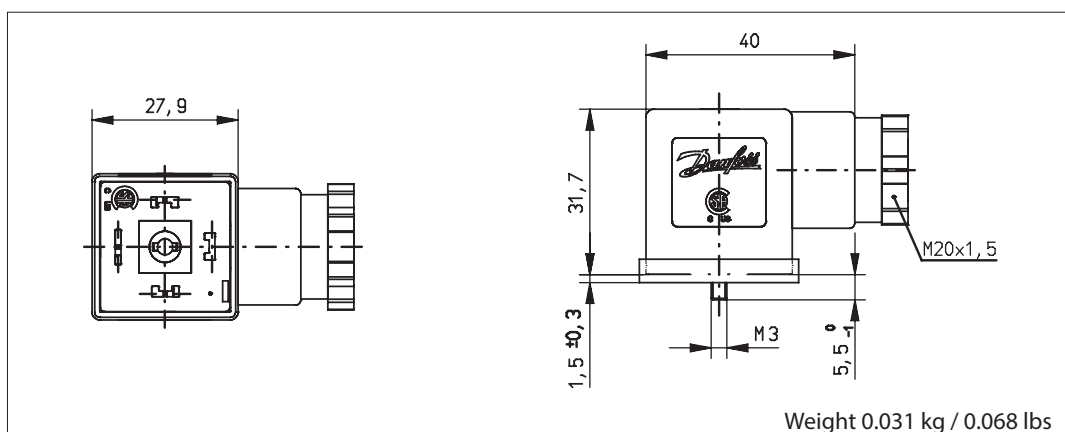
Cable plug size	Description	Suitable for coil types	Code no.
DIN 18	Cable plug with form A	AM, BA, BB, BD, BY	<b>042N0178</b>

Technical data



Design	EN 175301-803 Form A	
Cable gland	PG 11	
Poles	2 + PE	
Max. voltage	250 V a.c./d.c.	
Approvals		
Protection class	IP65	
Max. operating current	16 A	
Contact resistance	< 4m Ω	
Cable diameter	ø6 – 8 / 8 – 10 mm	
Wire cross section	Max. 1.5 mm <sup>2</sup>	
Ambient temperature	-25 – 80 °C / -13 – 176 °F	
Materials	Contacts:	CuZn, Cu/Sn - plated
	Terminal block:	PA 6 GF
	Profiled gasket:	NBR
	Housing:	PA 6 GF

Dimensions and weight



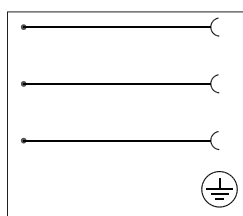
Industrial plug



- For use with Danfoss coils type AB and AC
- a.c./d.c. all voltages up to 250 V
- Enclosure: Up to IP65
- Ambient temperature: Up to 90 °C / 194 °F

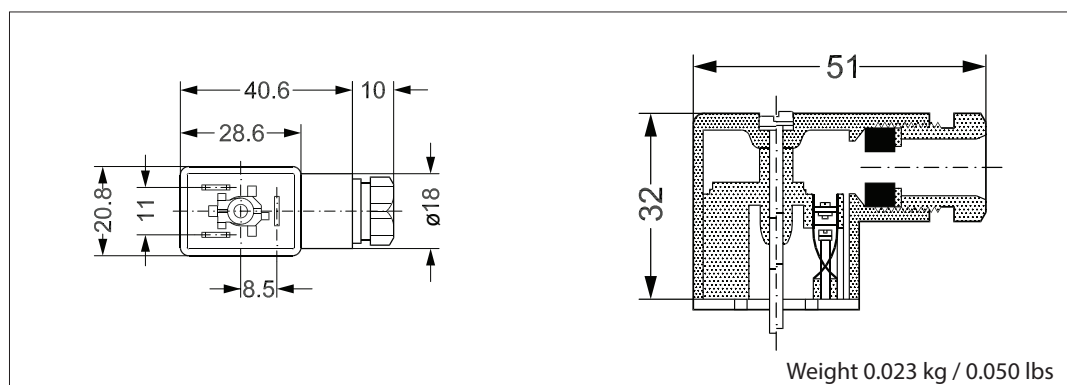
Industrial plug size	Description	Suitable for coil types	Code no.
DIN 11	Cable plug for 6.3 x 0.8 mm spade connectors	AB, AC	042N0139

Technical data



Type	GM 209 J (Black)	
Design	DIN 43650-B	
Cable gland	PG 9	
Poles	2 + PE	
Max. voltage	250 V a.c./d.c.	
Approvals	cULus CSA	
Protection class	IP65 (IEC 60529)	
Max. operating current	16 A	
Contact resistance	< 10m Ω	
Cable diameter	ø4.5 – 7 mm	
Wire cross section	Max. 1.5 mm <sup>2</sup>	
Ambient temperature	-30 – 90 °C / -22 – 194 °F	
Materials	Contacts:	CuSn (Tin plated)
	Terminal block:	PA 6 GF
	Flat gasket:	NBR
	Housing:	PA 6 GF

Dimensions and weight



Cable plug (LED + Varistor)

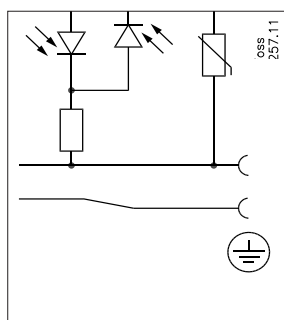


- For use with Danfoss coils type AM, AK, AL, BA, BD, BB and BY
- 24 V a.c./d.c. and 230 V a.c. version
- Enclosure: Up to IP65
- Ambient temperature: Up to 60 °C / 140 °F
- DIN 18

Cable plug size	Voltage	Suitable for coil types	LED colour	Built-in VDR <sup>1)</sup> resistor	Code no.
DIN 18	24 V a.c./d.c.	AM, AL, BA, BB, BD, BY	Red	Yes	<b>042N0263</b>
DIN 18	230 V a.c.	AM, AL, BA, BB, BD, BY	Red	Yes	<b>042N0265</b>

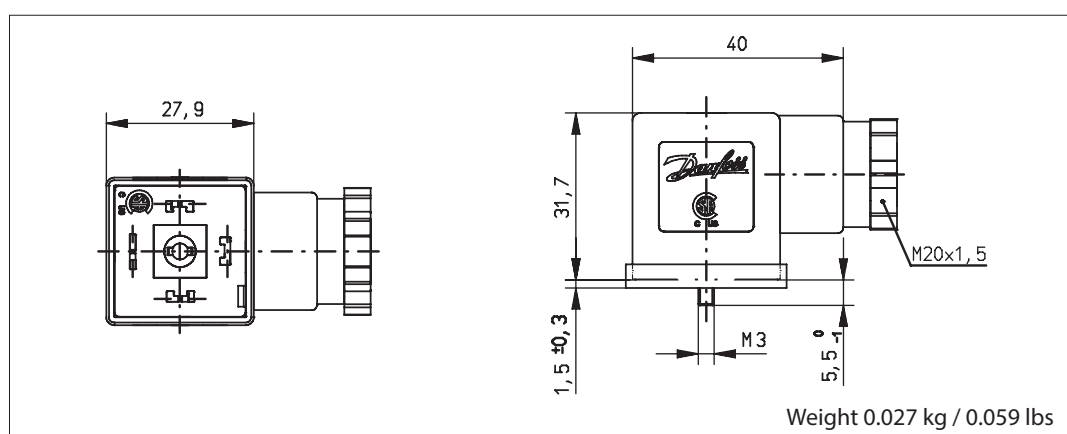
<sup>1)</sup> Protects against voltage peaks

Technical data



Design	EN 175301-803 A	
Supply voltage tolerance	± 10%	
Power consumption	Max. 5 mA	
Protection class	IP65 (IEC 60529)	
Max. operating current	1.5 A clamping contact	
Contact resistance	≤ 4m Ω	
Protection against wrong polarity	Yes	
Cable diameter	6 – 8 mm and 8 – 10 mm	
Wire cross section	Max. 1.5 mm <sup>2</sup>	
Ambient temperature	-25 – 60 °C / -13 – 140 °F	
Materials	Contacts:	CuZn, Cu/Sn-plated
	Terminal block:	PA6 + 30% FG, black
	Flat gasket:	NBR LABS-free
	Housing:	PA6
	Wire holder:	PA6.6 + 50% FG P7,5 black

Dimensions and weight



Industrial plug (LED + Varistor)

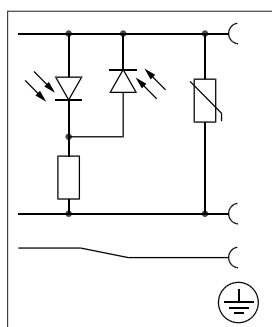


- For use with Danfoss coils type AB and AC
- 24 V a.c./d.c. and 230 V a.c. version
- Enclosure: Up to IP65
- Ambient temperature: Up to 60 °C / 140 °F

Industrial plug size	Voltage	Suitable for coil types	LED colour	Built-in VDR <sup>1)</sup> resistor	Code no.
DIN 11	24 V a.c./d.c.	AB, AC	Red	Yes	<b>042N0267</b>
DIN 11	230 V a.c.	AB, AC	Red	Yes	<b>042N0265</b>

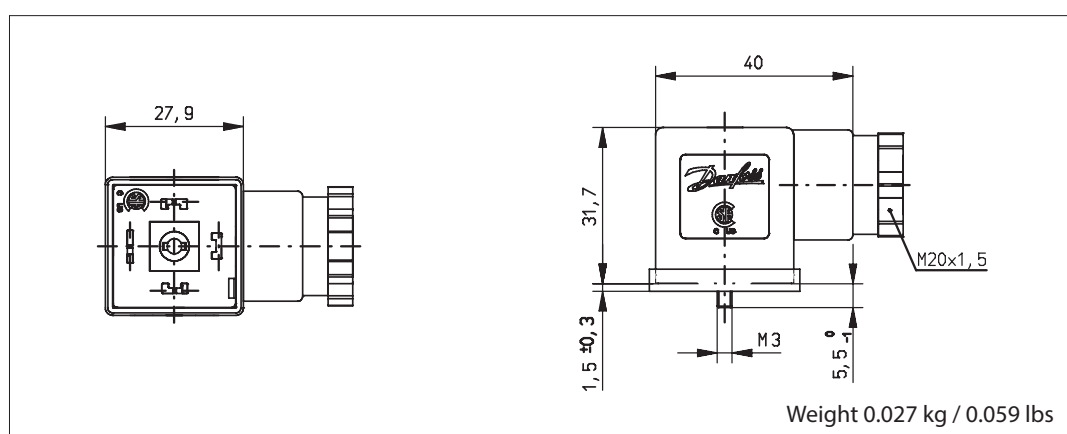
<sup>1)</sup> Protects against voltage peaks

Technical data



Design	Industrial form	
Supply voltage tolerance	± 10%	
Power consumption	Max. 5 mA	
Protection class	IP65 (IEC 60529)	
Max. operating current	1.5 A clamping contact	
Contact resistance	≤ 4m Ω	
Protection against wrong polarity	Yes	
Cable diameter	5 – 6 mm and 6 – 9 mm	
Wire cross section	Max. 1 mm <sup>2</sup>	
Ambient temperature	-25 – 60 °C / -13 – 140 °F	
Materials	Contacts:	CuZn, Cu/Sn-plated
	Terminal block:	PA6 + 30% FG, black
	Flat gasket:	NBR LABS-fre
	Housing:	PA6
	Wire holder:	PA6.6 + 50% FG P7,5 black

Dimensions and weight



**Universal electronic multi-timer  
Type ET 20 M**



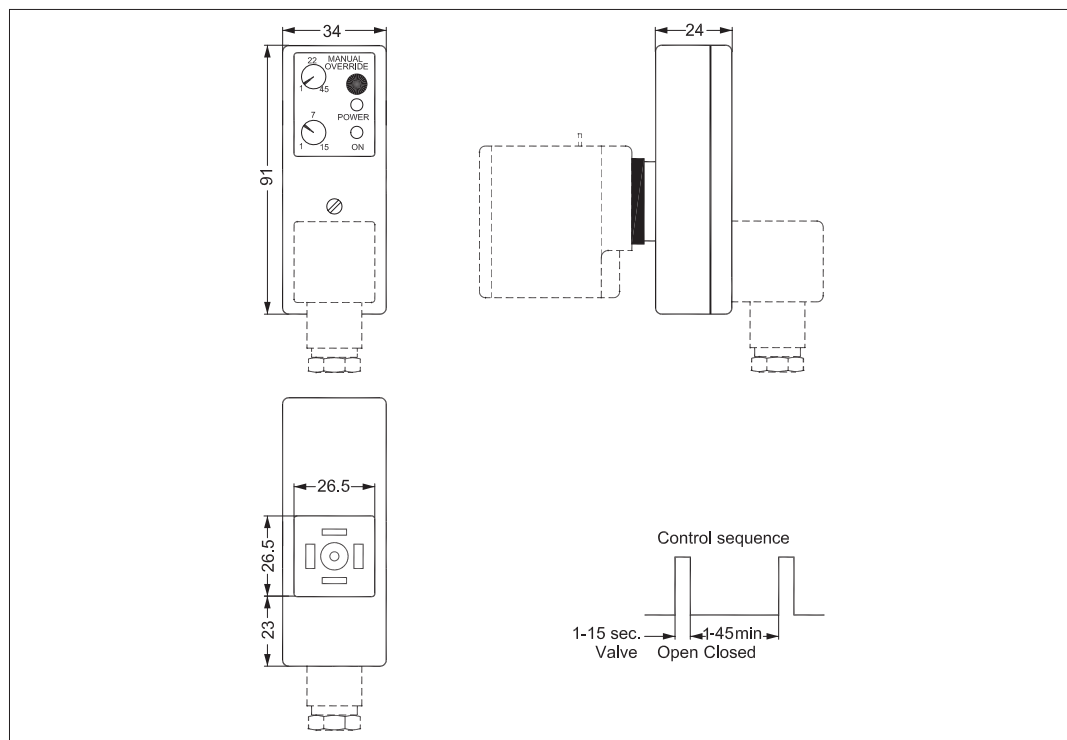
- Outside adjustments
- Light weight and small size
- External adjustable timing from 1 minute to 45 minutes with 1 to 15 seconds drain open
- One solid state timer fits all coil voltages from 24-240 V a.c.
- Light diodes for indication
- All in one unit
- Manual override (test button).

Type	Voltage [V]	Suitable for coil types	Code no.
BA024A	24 – 240 a.c.	AM, BA, BD, BB	<b>042N0185</b>

**Technical data**

Type	ET 20 M
Voltage	24 – 240 V a.c. / 50 – 60 Hz
Power rating	Max. 20 W
Enclosure	IP00, IP65 with cable plug
Electrical connection	DIN connector (DIN 43650-A)
Ambient operating temperature range	-10 – 50 °C
Function	Start with pulse
Interval timer	0 – 45 min.
“On” timer	0 – 15 sec.

**Dimensions and weight**



Danfoss can accept no responsibility for possible errors in catalogues, brochures and other printed material. Danfoss reserves the right to alter its products without notice. This also applies to products already on order provided that such alterations can be made without consequential changes being necessary in specifications already agreed. All trademarks in this material are property of the respective companies. Danfoss and the Danfoss logotype are trademarks of Danfoss A/S. All rights reserved.