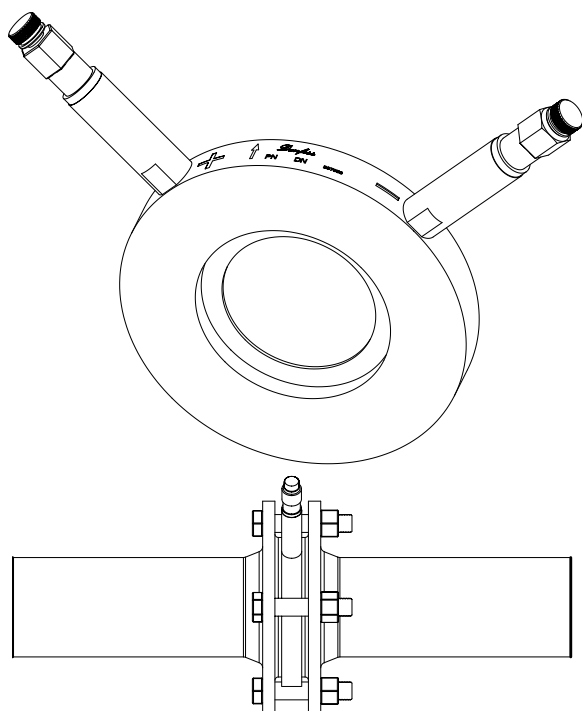


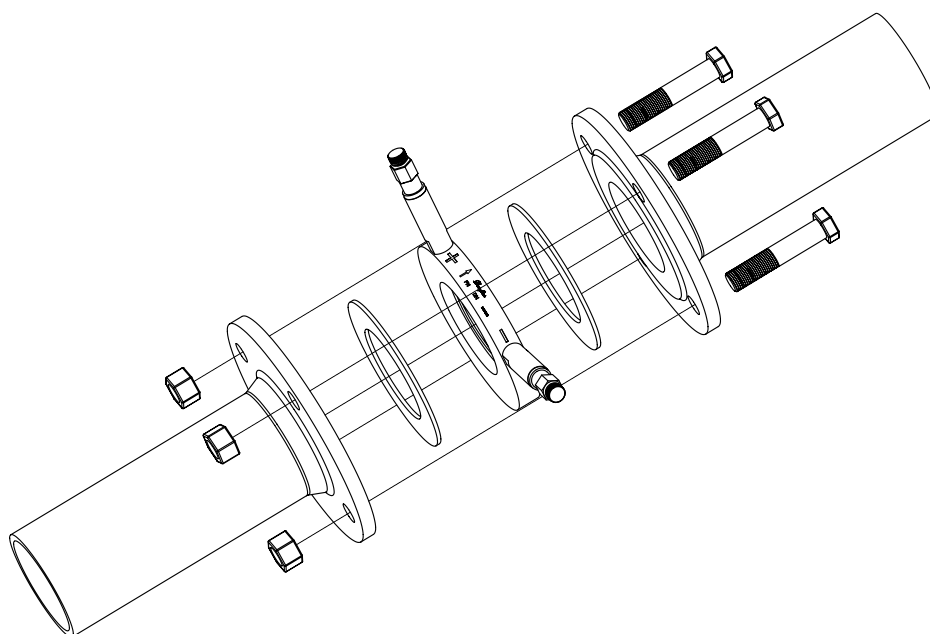
## Installation Guide

### Measuring Orifice



DN	K <sub>vs</sub> * (m <sup>3</sup> /h)	Code No.
		PN 25
50	69	<b>003Z2260</b>
65	103	<b>003Z2261</b>
80	119	<b>003Z2262</b>
100	233	<b>003Z2277</b>
125	334	<b>003Z2278</b>
150	525	<b>003Z2279</b>
200	798	<b>003Z2280</b>
250	1219	<b>003Z2281</b>
300	1880	<b>003Z2282</b>
350	2180	<b>003Z2283</b>
400	2650	<b>003Z2284</b>
450	3430	<b>003Z2285</b>
500	4230	<b>003Z2286</b>
600	6240	<b>003Z2287</b>

\* Flow at  $\Delta_p = 1.0$  bar over the orifice



## Installation Guide      Measuring Orifice

---

---

---

Danfoss can accept no responsibility for possible errors in catalogues, brochures and other printed material. Danfoss reserves the right to alter its products without notice. This also applies to products already on order provided that such alterations can be made without subsequential changes being necessary in specifications already agreed. All trademarks in this material are property of the respective companies. Danfoss and the Danfoss logotype are trademarks of Danfoss A/S. All rights reserved.

---