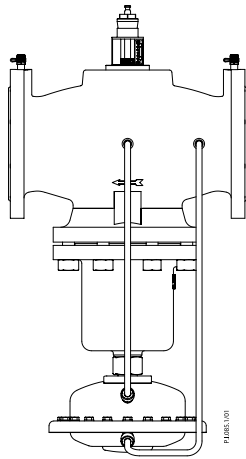
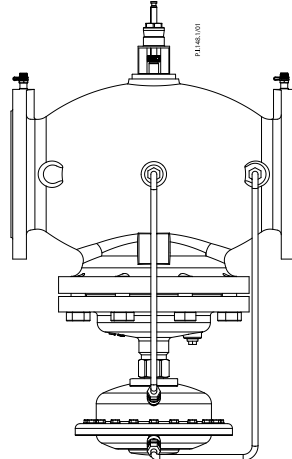


Installation Guide

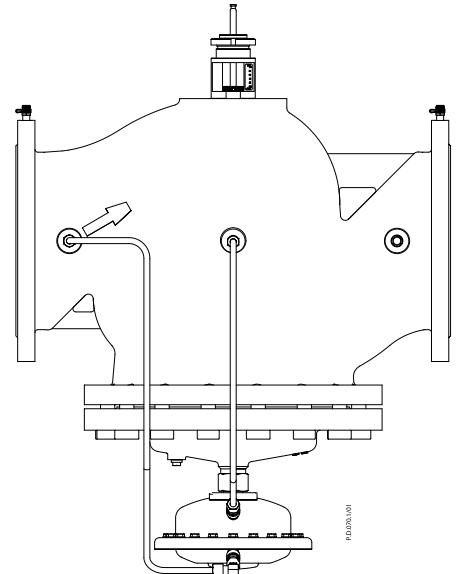
AB-QM DN 125-250



AB-QM DN 125

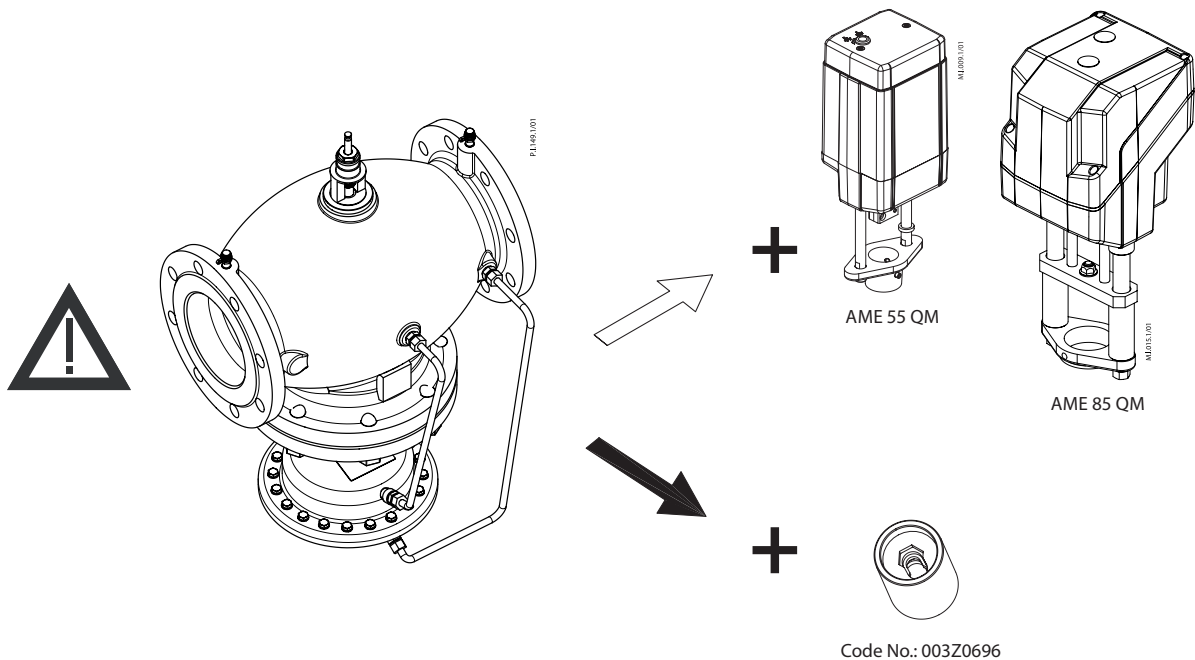


AB-QM DN 150



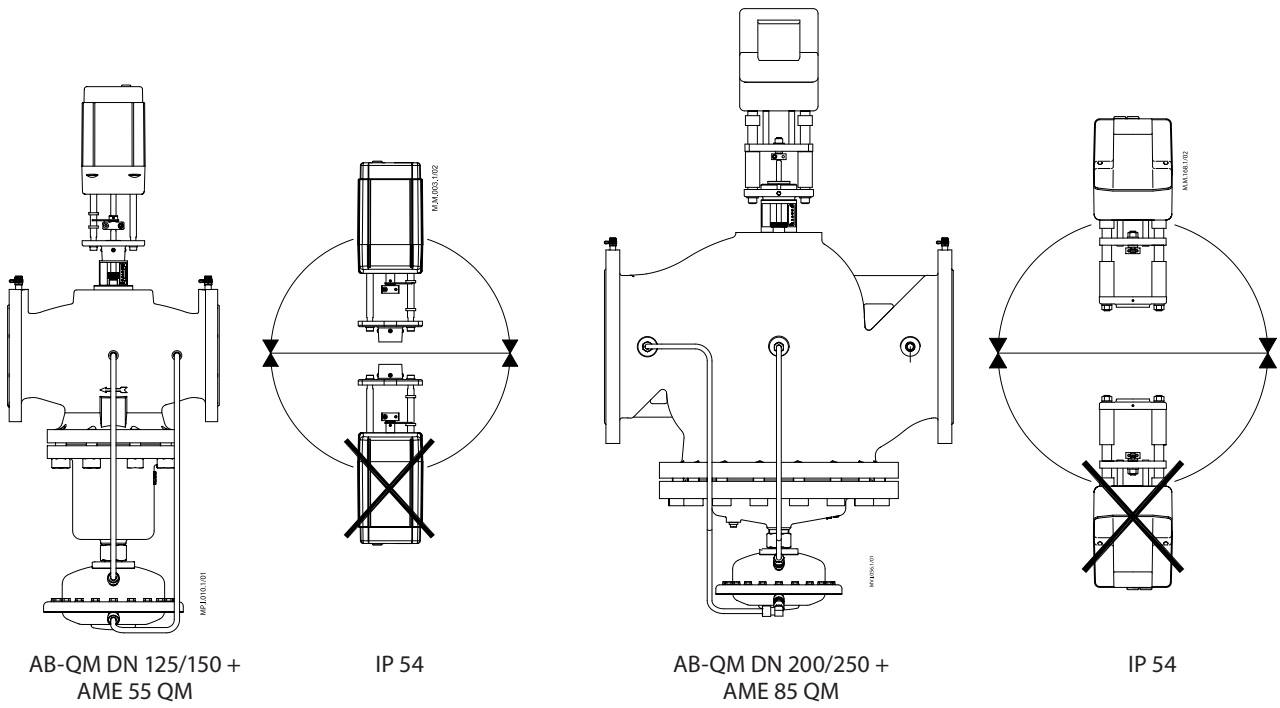
AB-QM DN 200/250

Installation / Montering / Einbau / Installation / Installatie / Installation / Asennus / Montaż / Uzdādīšana / Beépítés / Montaj / Монтаж / Instalace / 安装 / Vgradnja / Instalación / Montavimas

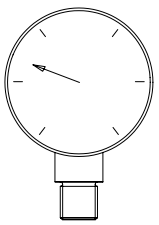


Installation Guide AB-QM DN 125-250

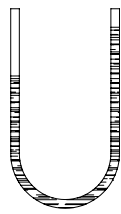
Installation / Montering / Einbau / Installation / Installatie / Installation / Asennus / Montaż / Uzstādīšana / Beépítés / Montaj / Монтаж / Instalace / 安装 / Vgradnja / Instalación / Montavimas



Temp. -10 ... 120 °C



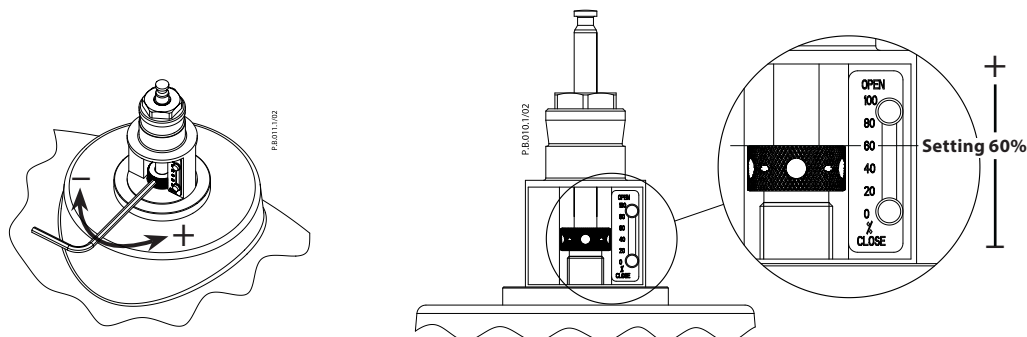
PN 16



$\Delta p_{max.} = 400 \text{ kPa}$

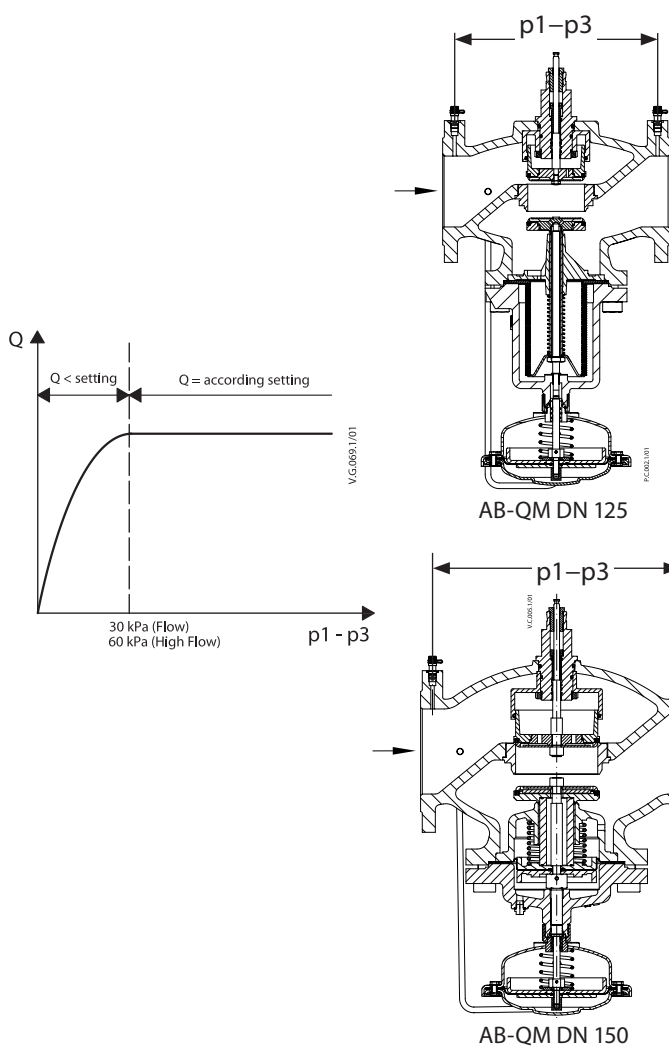
Installation Guide AB-QM DN 125-250

Setting / Indstilling / Einstellung / Réglage / Instelling / Inställning / Asettelu / Wykonywanie nastawy / Iestādījumi / Beállítás / Ayarlama / Настройка / Nastavení / 设定 / Nastavitev / Ajuste / Nustatymas



Note:
 DN 125 & 150: 1 turn = 5.0 %
 DN 200 & 250: 1 turn = 5.5 %

Measuring / Måling / Messung / Mesure / Meten / Mätning / Mittaaminen / Wykonywanie pomiarów / Mērīšana / Mérés / Ölçüm / Измерение / Měření / 測量 / Merjenje / Medida / Matavimas



DN 125	Flow			High Flow		
	L/h	L/s	GPM	L/h	L/s	GPM
40%	36.000	10,00	158	44.000	12,22	194
45%	40.500	11,25	178	49.500	13,75	218
50%	45.000	12,50	188	55.000	15,28	242
55%	49.500	13,75	218	60.500	16,81	266
60%	54.000	15,00	238	66.000	18,33	290
65%	58.500	16,25	257	71.500	19,86	315
70%	63.000	17,50	277	77.000	21,39	339
75%	67.500	18,75	297	82.500	22,92	363
80%	72.000	20,00	317	88.000	24,44	387
85%	76.500	21,25	337	93.500	25,97	411
90%	81.000	22,50	356	99.000	27,50	436
95%	85.500	23,75	376	104.500	29,03	460
100%	90.000	25,00	396	110.000	30,56	484
105%	95.000	26,39	418	115.000	31,94	506
110%	100.000	27,78	440	120.000	33,33	528

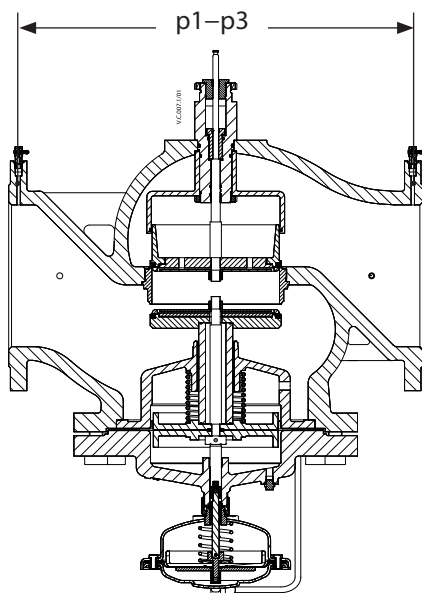
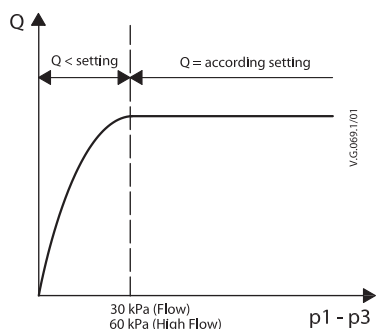
Note: 1 turn = 5,0%

DN 150	Flow			High Flow		
	L/h	L/s	GPM	L/h	L/s	GPM
40%	58.000	16,11	255	76.000	21,11	334
45%	65.250	18,13	287	85.500	23,75	376
50%	72.500	20,14	319	95.000	26,39	418
55%	79.750	22,15	351	104.500	29,03	460
60%	87.000	24,17	383	114.000	31,67	502
65%	94.250	26,18	415	123.500	34,31	543
70%	101.500	28,19	447	133.000	36,94	585
75%	108.750	30,21	479	142.500	39,58	627
80%	116.000	32,22	510	152.000	42,22	669
85%	123.250	34,24	542	161.500	44,86	711
90%	130.500	36,25	574	171.000	47,50	752
95%	137.750	38,26	606	180.500	50,14	794
100%	145.000	40,28	638	190.000	52,78	836
105%	152.250	42,30	671	209.500	58,19	922
110%	160.000	44,44	704	229.000	63,61	1.008

Note: 1 turn = 5,0%

Installation Guide AB-QM DN 125-250

Measuring / Måling / Messung / Mesure / Meten / Mätning / Mittaaminen / Wykonywanie pomiarów / Mērišana / Mérés / Ölçüm / Измерение / Měření / 測量 / Merjenje / Medida / Matavimas



AB-QM DN 200/250

DN 200	Flow			High Flow		
	L/h	L/s	GPM	L/h	L/s	GPM
40%	76.000	21,11	334	100.000	27,78	440
45%	85.500	23,75	376	112.500	31,25	495
50%	95.000	26,39	418	125.000	34,72	550
55%	104.500	29,03	460	137.500	38,19	605
60%	114.000	31,67	502	150.000	41,67	660
65%	123.500	34,31	543	162.500	45,14	715
70%	133.000	36,94	585	175.000	48,61	770
75%	142.500	39,58	627	187.500	52,08	825
80%	152.000	42,22	669	200.000	55,56	880
85%	161.500	44,86	711	212.500	59,03	935
90%	171.000	47,50	752	225.000	62,50	990
95%	180.500	50,14	794	237.500	65,97	1.045
100%	190.000	52,78	836	250.000	69,44	1.100
105%	199.500	55,42	878	262.500	72,92	1.155
110%	209.000	58,06	920	275.000	76,39	1.210
115%	218.500	60,69	961	287.500	79,86	1.265
120%	228.000	63,33	1.003	300.000	83,33	1.320

Note: 1 turn = 5,5%

DN 250	Flow			High Flow		
	L/h	L/s	GPM	L/h	L/s	GPM
40%	112.000	31,11	493	148.000	41,11	651
45%	126.000	35,00	554	166.500	46,25	733
50%	140.000	38,89	616	185.000	51,39	814
55%	154.000	42,78	678	203.500	56,53	895
60%	168.000	46,67	739	222.000	61,67	977
65%	182.000	50,56	801	240.500	66,81	1.058
70%	196.000	54,44	862	259.000	71,94	1.140
75%	210.000	58,33	924	277.500	77,08	1.221
80%	224.000	62,22	986	296.000	82,22	1.302
85%	238.000	66,11	1.047	314.500	87,36	1.384
90%	252.000	70,00	1.109	333.000	92,50	1.465
95%	266.000	73,89	1.170	351.500	97,64	1.547
100%	280.000	77,78	1.232	370.000	102,78	1.628
105%	294.000	81,67	1.294	388.500	107,92	1.709
110%	308.000	85,56	1.355	407.000	113,06	1.791
115%	322.000	89,44	1.417	425.500	118,19	1.872
120%	336.000	93,33	1.478	444.000	123,33	1.954

Note: 1 turn = 5,5%

Danfoss can accept no responsibility for possible errors in catalogues, brochures and other printed material. Danfoss reserves the right to alter its products without notice. This also applies to products already on order provided that such alterations can be made without consequential changes being necessary in specifications already agreed. All trademarks in this material are property of the respective companies. Danfoss and the Danfoss logotype are trademarks of Danfoss A/S. All rights reserved.